



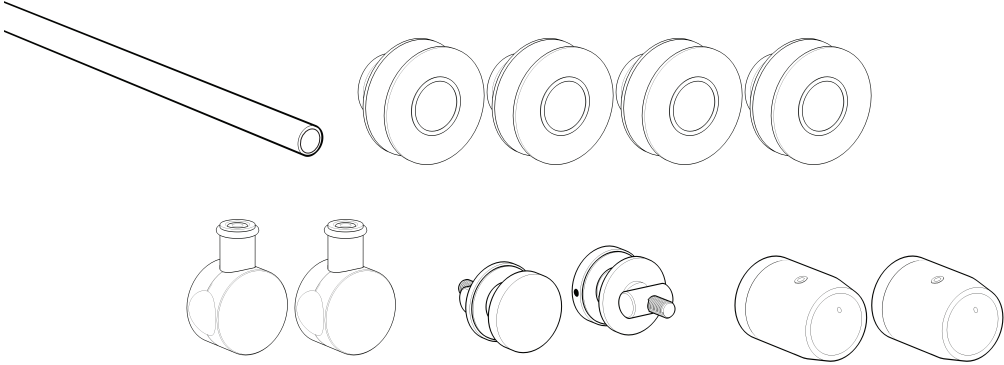
# Roller System

Cat# 38IGT

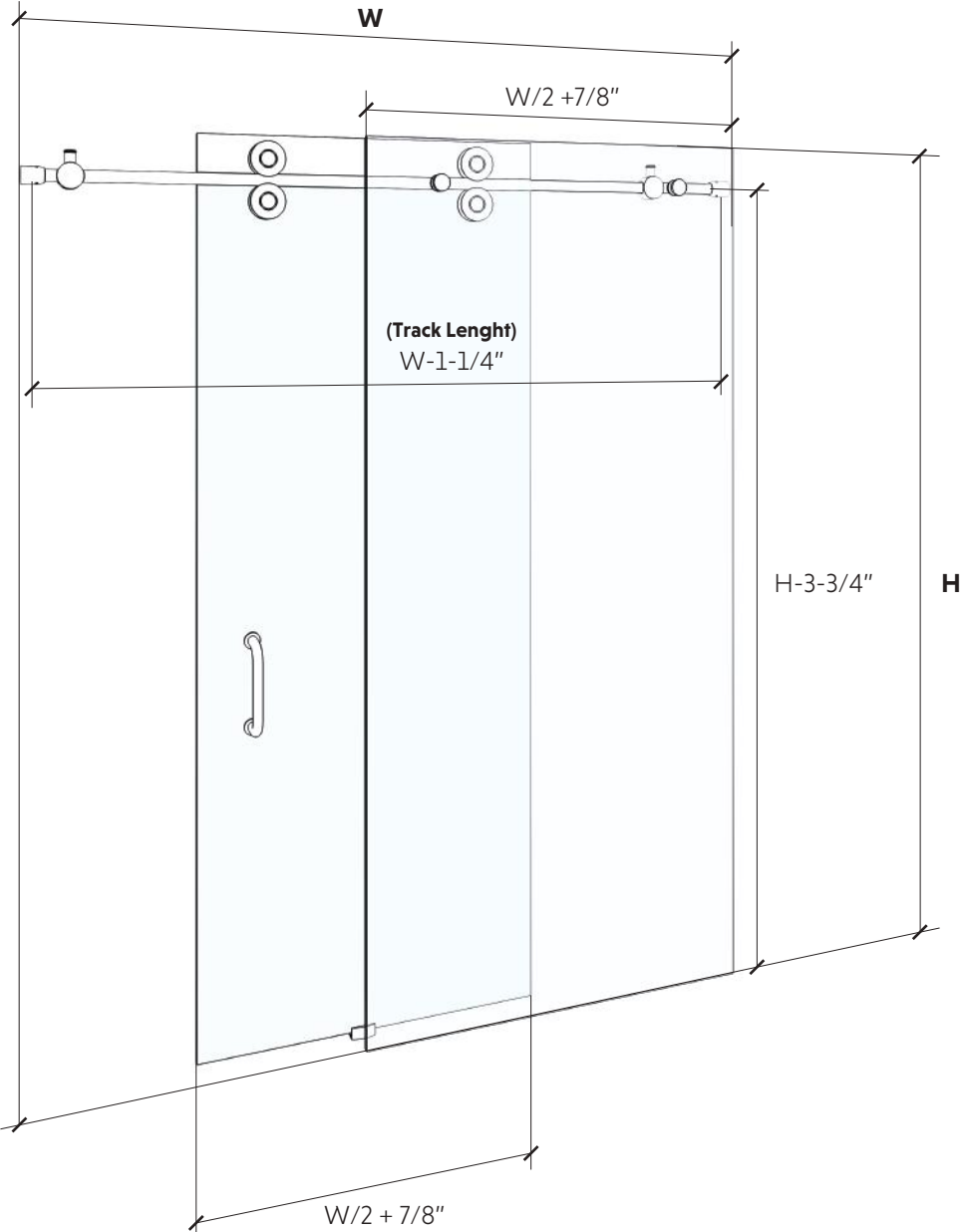
ASSEMBLY INSTRUCTIONS



**Includes:**

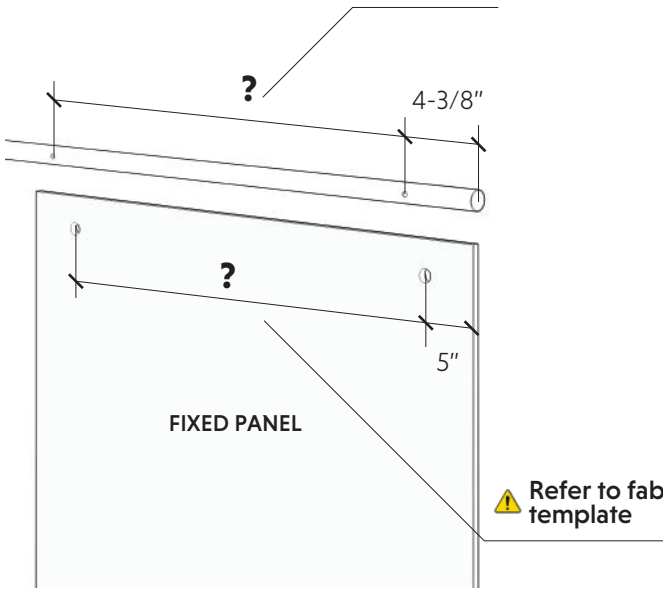


**General Dimensions**

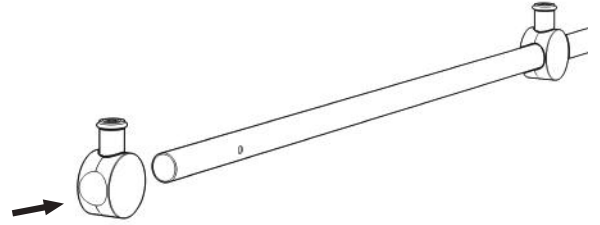


1.

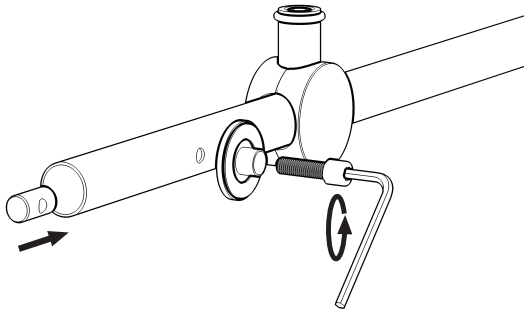
⚠ Identify distance between panel holes



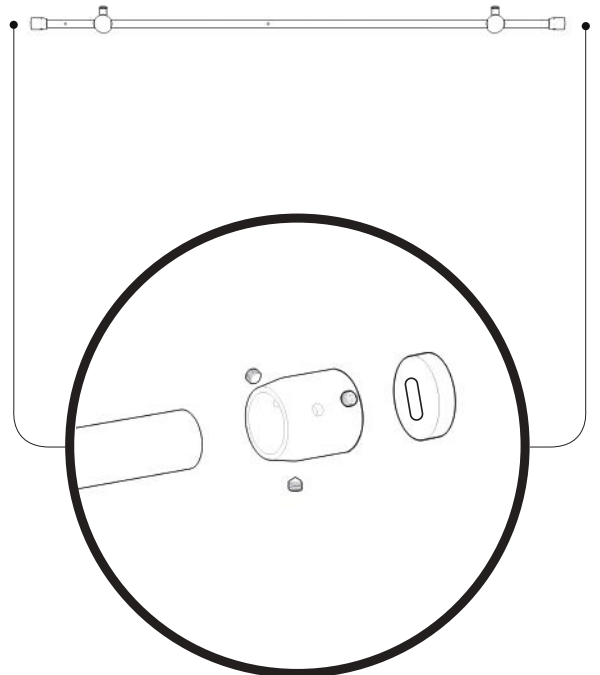
2.



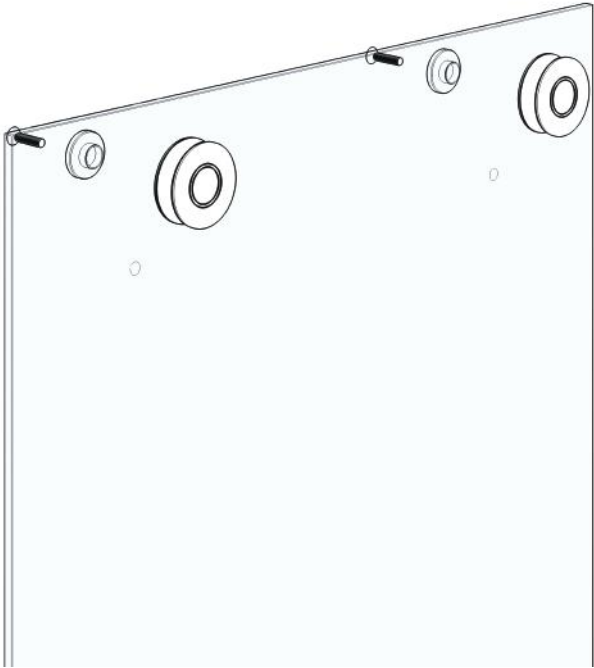
3.



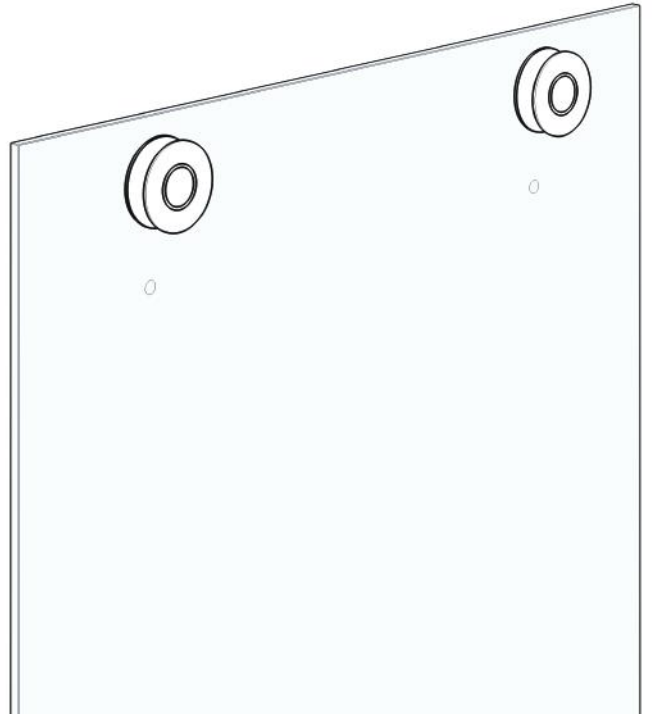
4.



5.



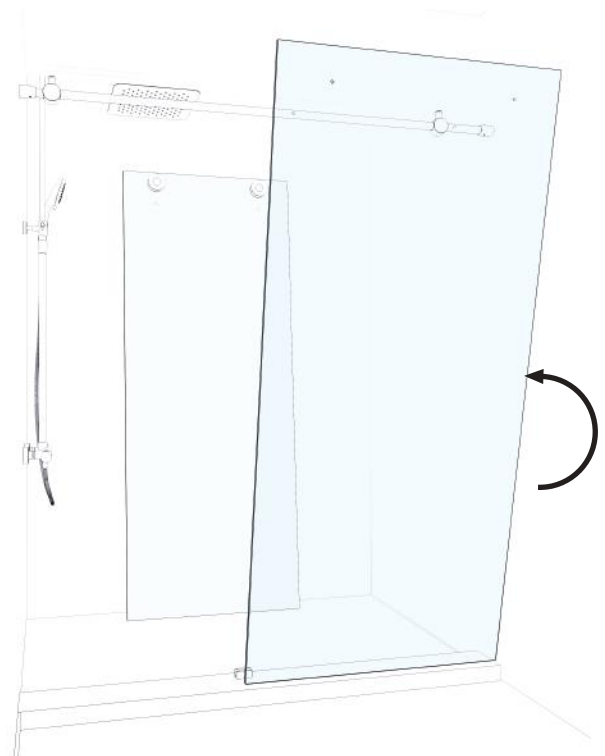
6.



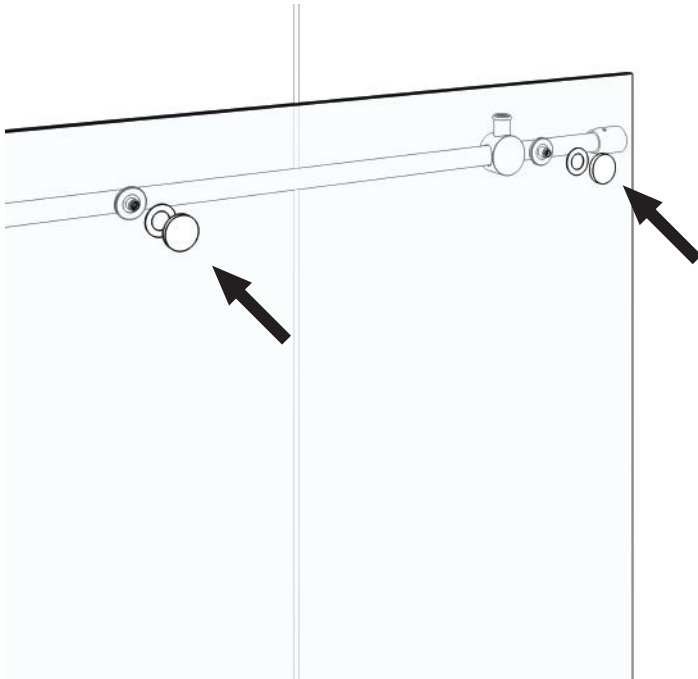
7.



8.



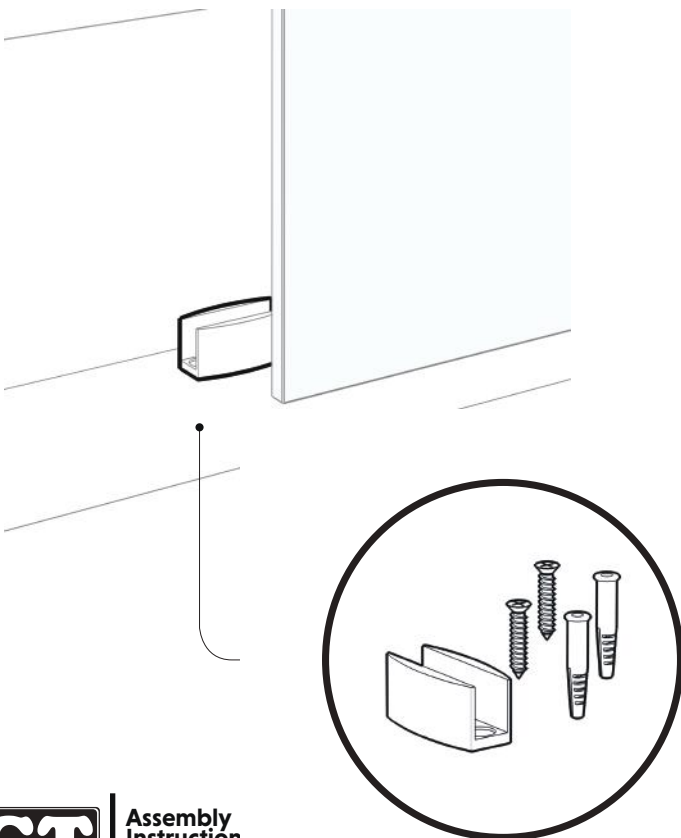
9.



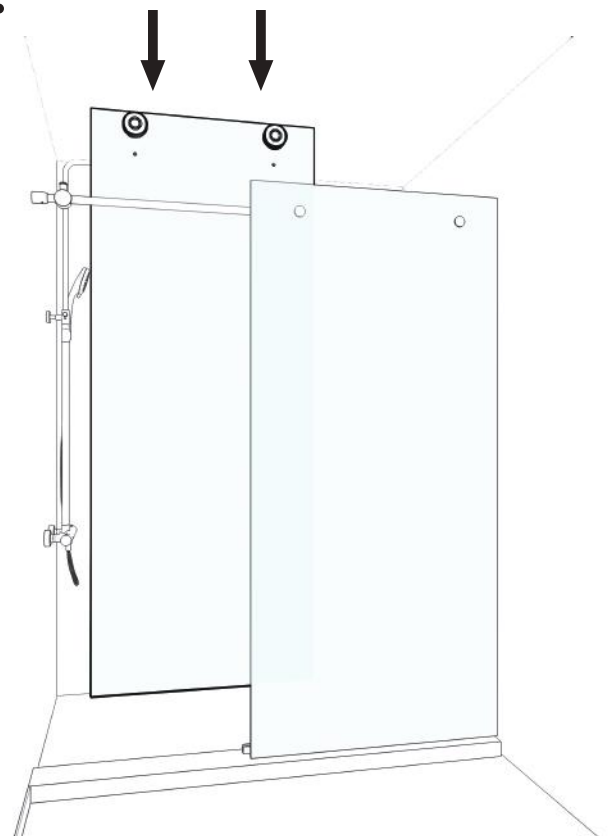
10.



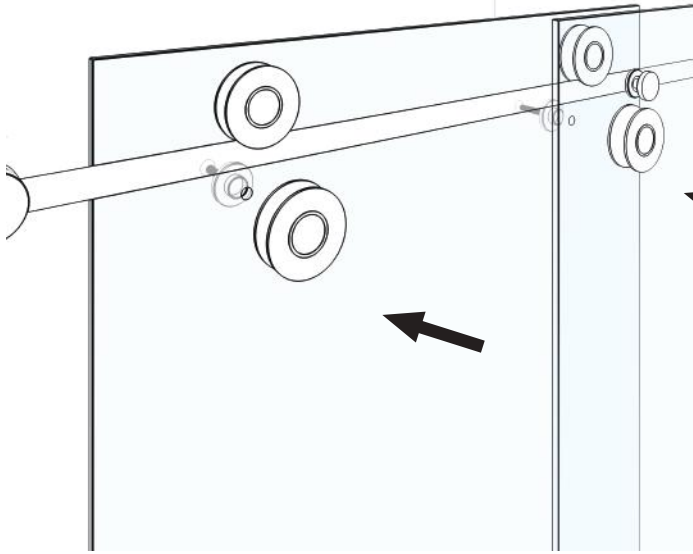
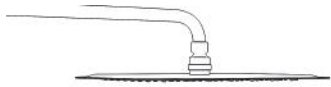
11.



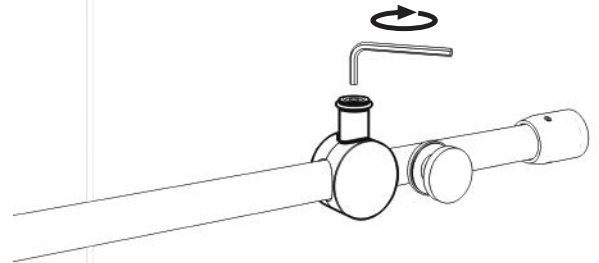
12.



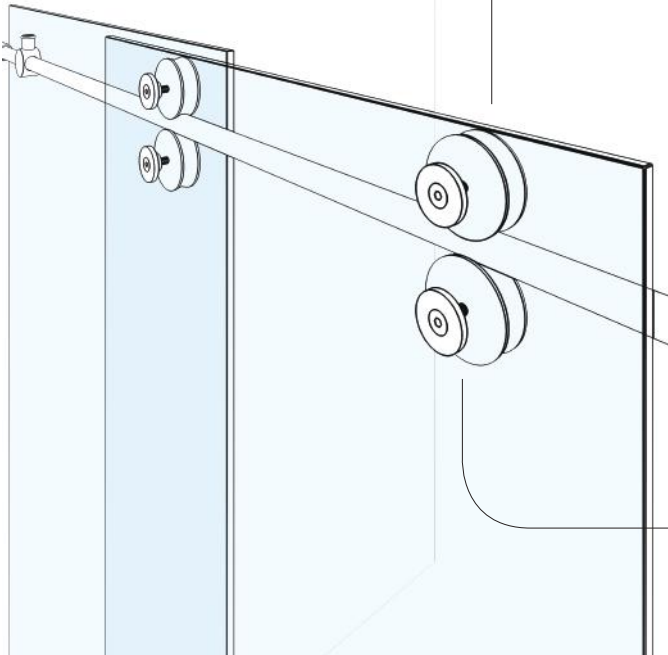
13.



14.

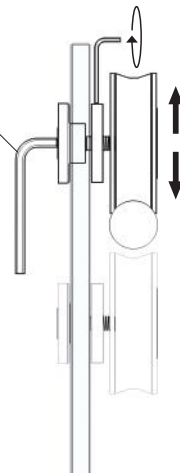


13.



When position is found, tighten to secure.

Move to adjust the desired position of the door.



When position is found, tighten to secure.

Adjust to eliminate gap between roller and track.

