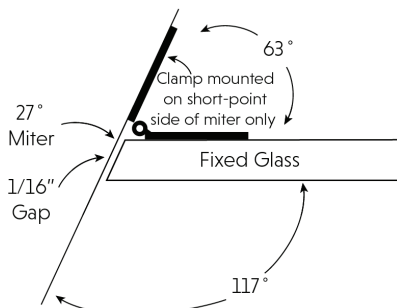
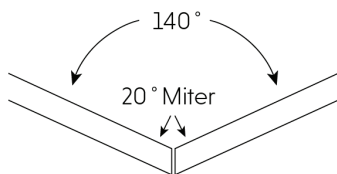


Example 1



Example 2



Example

Wall Mount Option

	Dimension from long-point of miter to center of 7/8" (22mm) diameter holes	
Angle	Mount to wall on short-point of miter	Mount to wall on long-point of miter
0° - 5°	1-1/2" (38 mm)	1-1/2" (38 mm)
6° - 10°	1-9/16" (40 mm)	1-7/16" (37 mm)
11° - 15°	1-5/8" (41 mm)	1-7/16" (37 mm)
16° - 20°	1-11/16" (43 mm)	1-3/8" (35 mm)
21° - 25°	1-3/4" (44 mm)	1-3/8" (35 mm)
26° - 30°	1-7/8" (48 mm)	N/A
31° - 35°	1-15/16" (49 mm)	N/A
36° - 40°	2-1/16" (52 mm)	N/A
41° - 45°	2-3/16" (56 mm)	N/A
46° - 47°	2-5/16" (59 mm)	N/A
48° - 50°	2-7/16" (62 mm)	N/A

Glass to Glass Option

Angle	Dimension from long-point of miter to center of 7/8" (22mm) diameter holes
90° - 95°	1-7/8" (48 mm)
96° - 100°	1-3/4" (44 mm)
101° - 105°	1-11/16" (43 mm)
106° - 110°	1-5/8" (41 mm)
111° - 115°	1-5/8" (41 mm)
116° - 120°	1-5/8" (41 mm)
121° - 125°	1-9/16" (40 mm)
126° - 130°	1-1/2" (38 mm)
131° - 135°	1-1/2" (38 mm)
136° - 140°	1-7/16" (37 mm)
141° - 145°	1-3/8" (35 mm)
146° - 150°	1-3/8" (35 mm)
151° - 155°	1-5/16" (33 mm)
156° - 160°	1-5/16" (33 mm)
161° - 165°	1-5/16" (33 mm)
166° - 170°	1-1/4" (32 mm)
171° - 175°	1-1/4" (32 mm)
176° - 180°	1-3/16" (30 mm)

Specifications:

Glass thickness: 3/8" (10mm) to 1/2" (12mm) tempered glass only.

Construction: solid brass (cutout required)

Includes: gaskets, screws and fabrication dimensions

Cut-out: 7/8" hole diameter required.



5260 NW 167th Street
Miami Gardens, FL 33014
Phone: (877) 658-9008
Fax: (888) 280-2285

Product: **Glass to Glass Adjustable**

Code: GC44AD

Material: Solid Brass