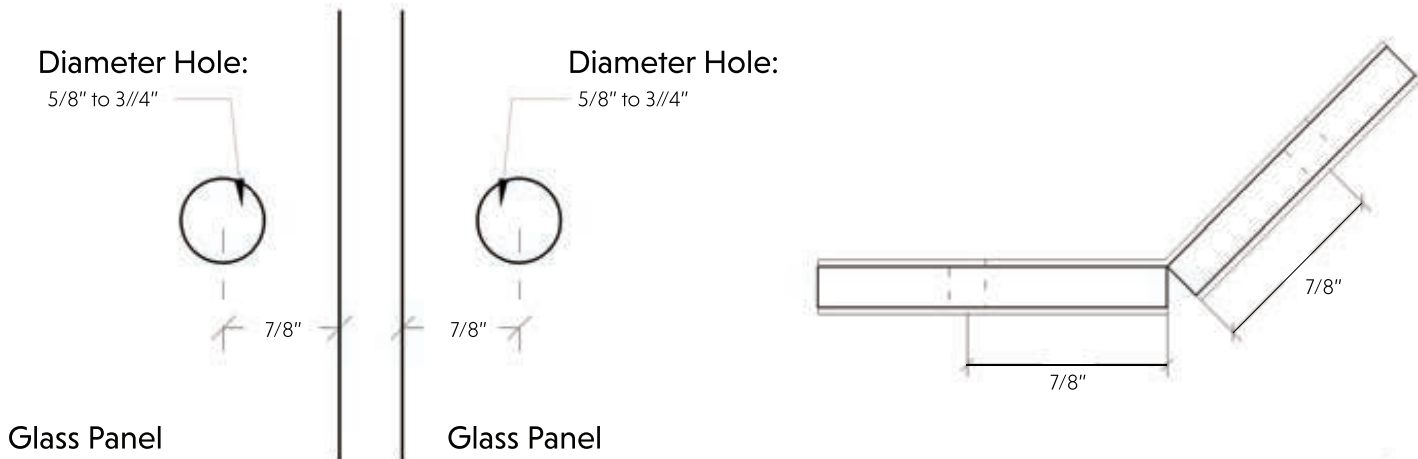
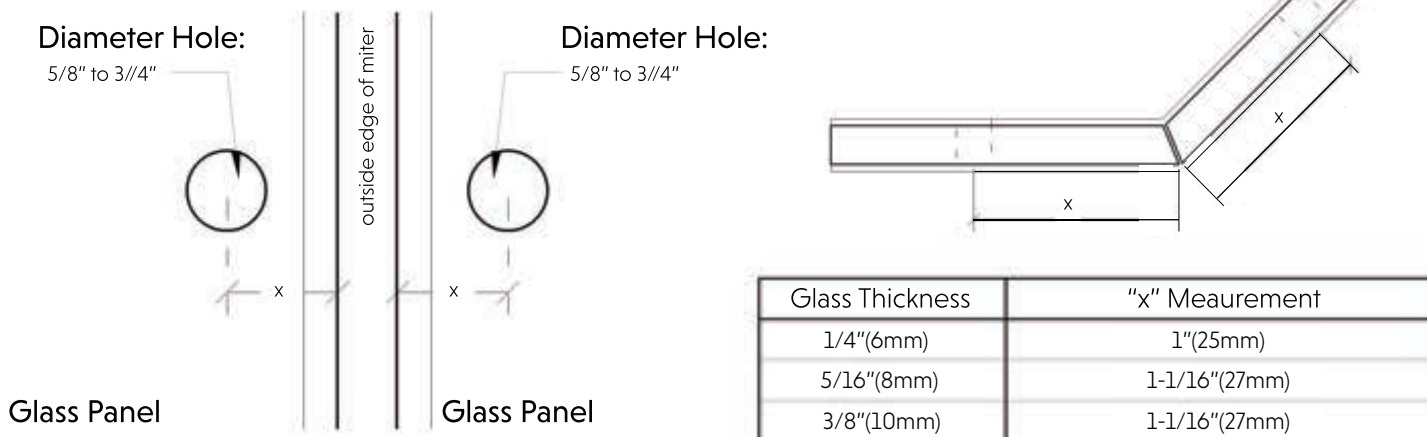


Square Cut Glass Option



22-1/2 Mitered Glass Option



Glass Thickness	"x" Measurement
1/4"(6mm)	1"(25mm)
5/16"(8mm)	1-1/16"(27mm)
3/8"(10mm)	1-1/16"(27mm)
1/2"(12mm)	1-1/8"(29.5mm)

* From outside edge of miter

Specifications:

Glass thickness: 3/8" (10mm) to 1/2" (12mm) tempered glass only.
Construction: solid brass (cutout required)
Includes: gaskets, screws and fabrication dimensions



5260 NW 167th Street
 Miami Gardens, FL 33014
 Phone: (877) 658-9008
 Fax: (888) 280-2285

Product: Glass to Glass 135°	
Code: GC44B	Material: Solid Brass