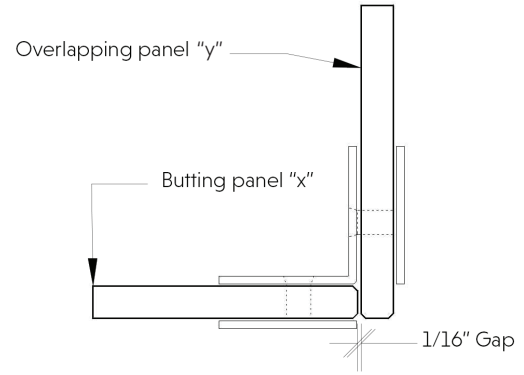
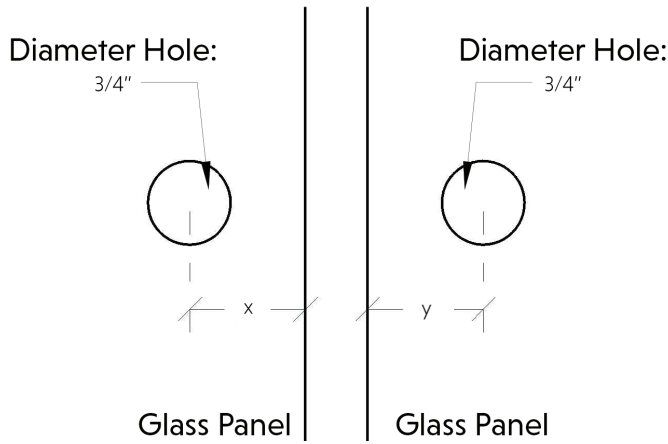
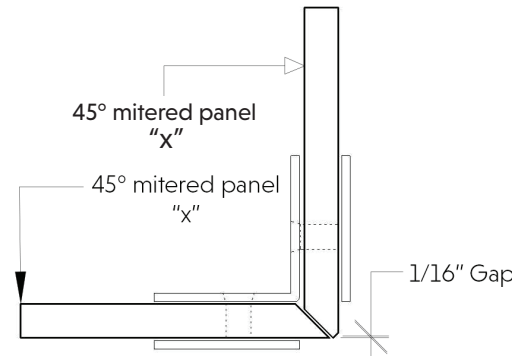
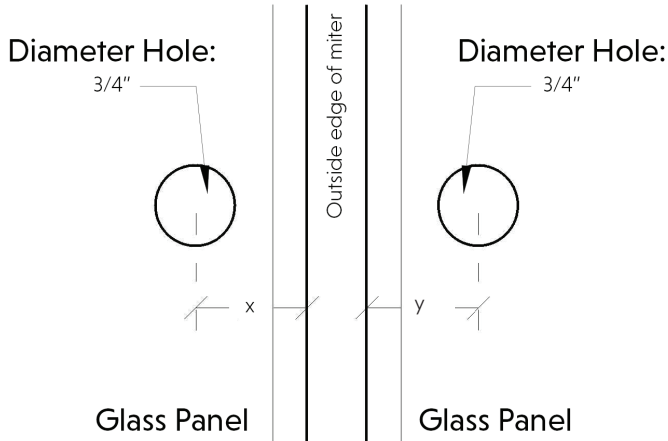


Square Cut Glass Option



Glass Thickness	X Measurement	Y Measurement
1/4" (6mm)	15/16" (24mm)	1-1/4" (32mm)
5/16" (8mm)	15/16" (24mm)	1-5/16" (34mm)
3/8" (10mm)	15/16" (24mm)	1-3/8" (35mm)
1/2" (12mm)	15/16" (24mm)	1-1/2" (38mm)

45° Mitered Glass Option



Glass Thickness	"x" Measurement
1/4"(6mm)	1-3/16"(30mm)
5/16"(8mm)	1-1/4"(32mm)
3/8"(10mm)	1-5/16"(34mm)
1/2"(12mm)	1-7/16"(37mm)

Specifications:

Glass thickness: 3/8" (10mm) to 1/2" (12mm) tempered glass only.

Construction: solid brass (cutout required)

Includes: gaskets, screws and fabrication dimensions



5260 NW 167th Street
 Miami Gardens, FL 33014
 Phone: (877) 658-9008
 Fax: (888) 280-2285

Product: Glass to Glass 90°	
Code: GC44C	Material: Solid Brass