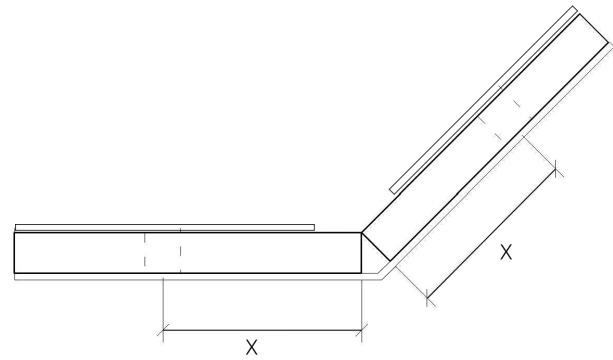
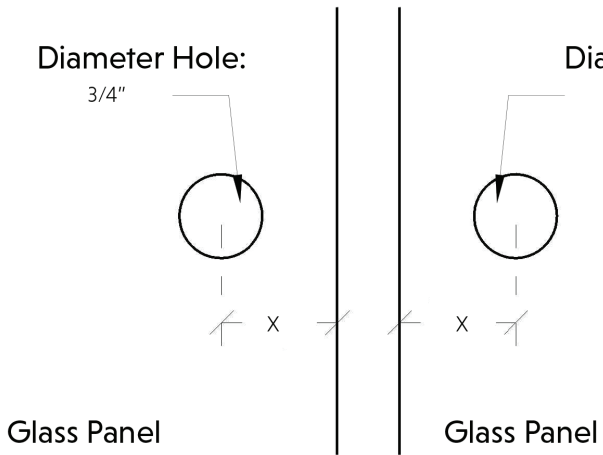
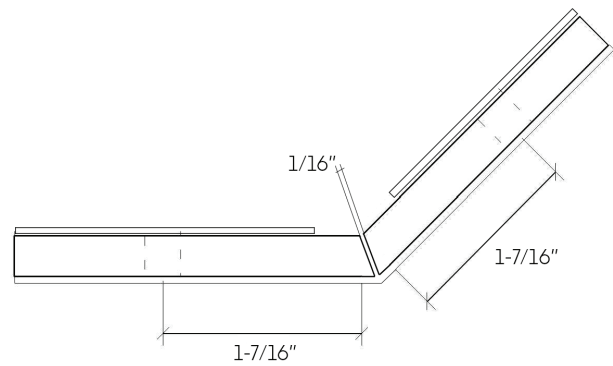
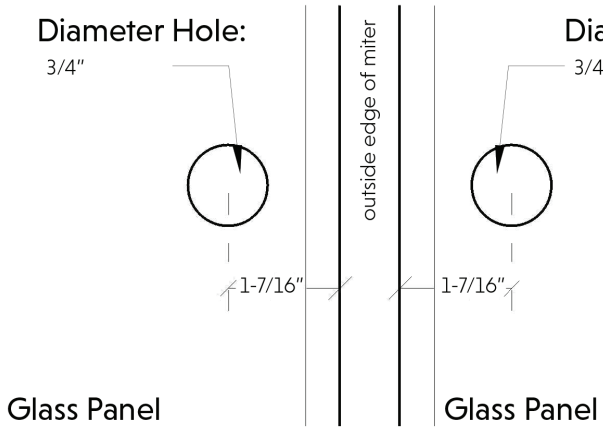


**Square Cut Glass Option**



Glass Thickness	"x" Measurement
3/8"	1-5/16"
1/2"	1-1/4"

**22-1/2 Mitered Glass Option**



**Specifications:**

**Glass thickness:** 3/8" (10mm) to 1/2" (12mm) tempered glass only.

**Construction:** solid brass (cutout required)

**Includes:** gaskets, screws and fabrication dimensions



5260 NW 167th Street  
 Miami Gardens, FL 33014  
 Phone: (877) 658-9008  
 Fax: (888) 280-2285

Product: **Glass to Glass 135°**

Code: GC51B

Material: Solid Brass