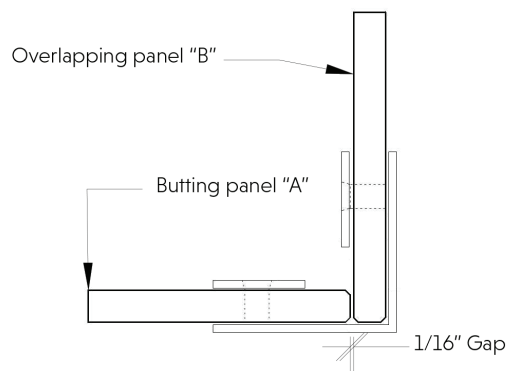
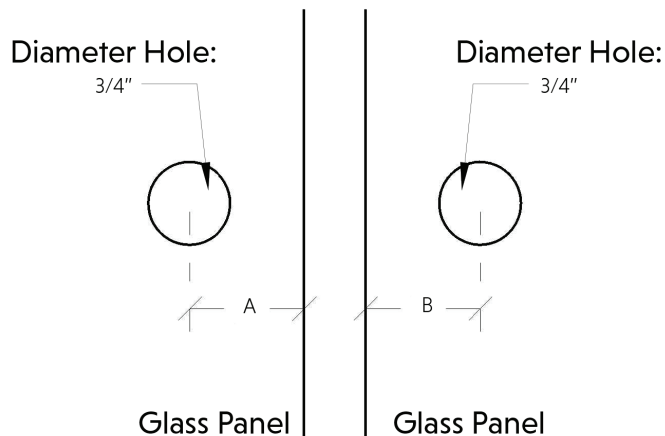
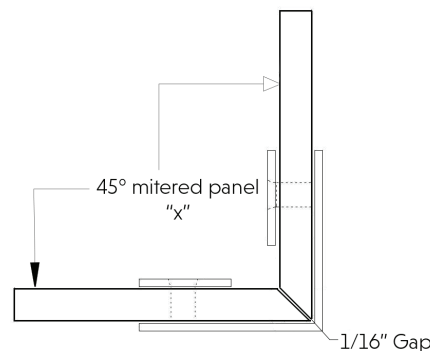
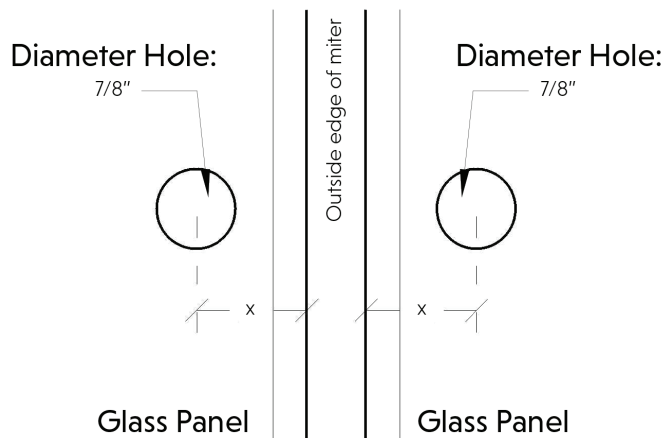


### Square Cut Glass Option



Glass Thickness	A Measurement	B Measurement
3/8"	1-3/16"	1-5/8"
1/2"	1-1/16"	1-5/8"

### 45° Mitered Glass Option



Glass Thickness	"x" Measurement
3/8"	1-1/2"
1/2"	1-1/2"

## Specifications:

**Glass thickness:** 3/8" (10mm) to 1/2" (12mm) tempered glass only.

**Construction:** solid brass (cutout required)

**Includes:** gaskets, screws and fabrication dimensions