

Specifications:

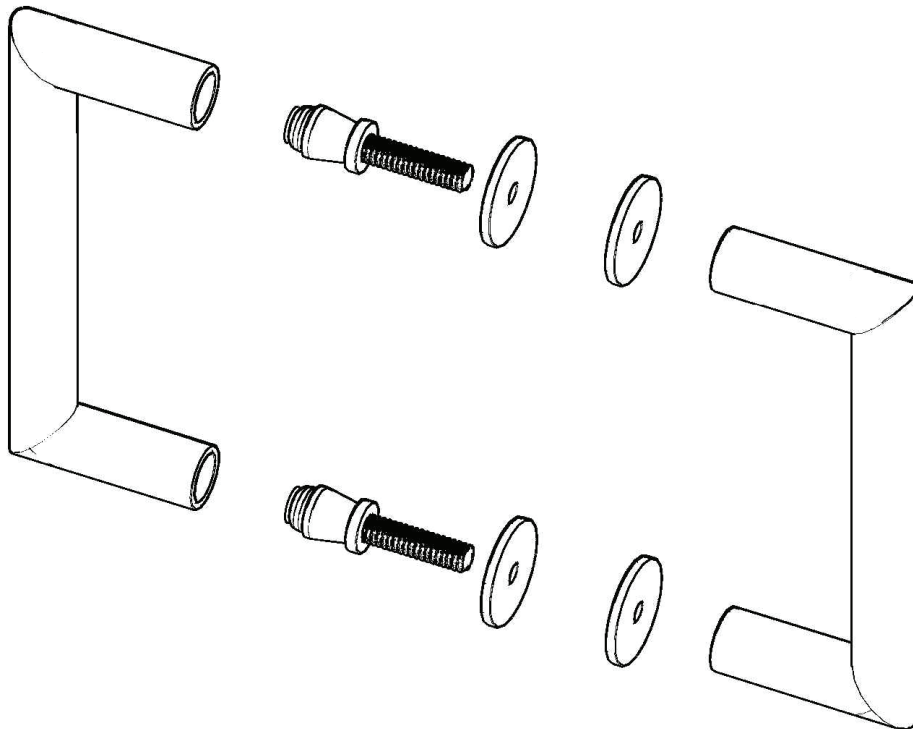
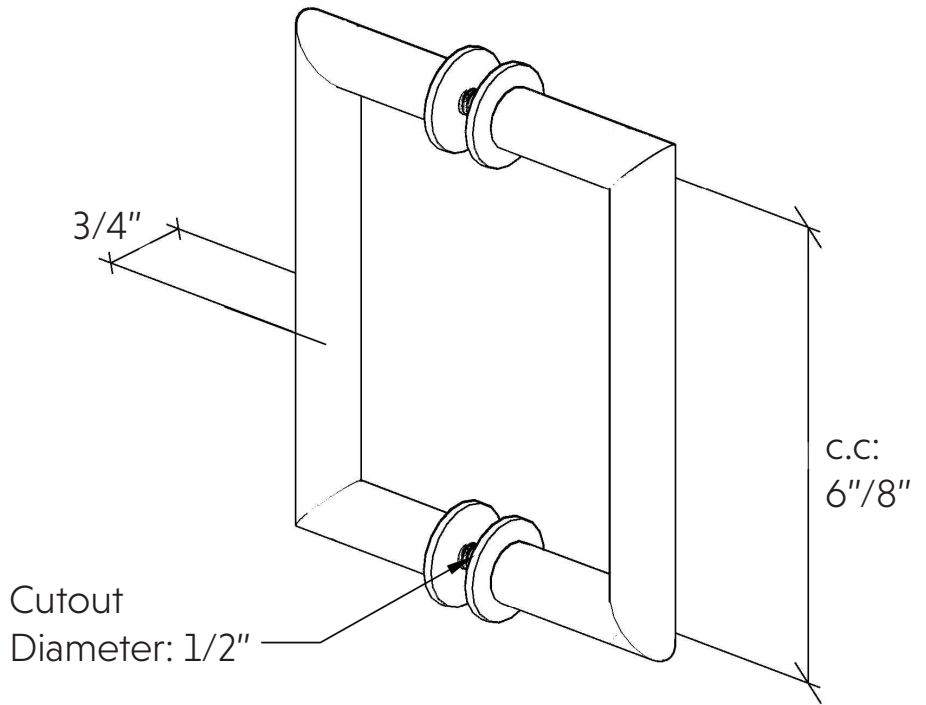
Glass thickness: 5/16" (8mm) to 1/2" (12mm) tempered glass only.

Cut-out: 1/2" hole diameter required

Includes: decorative metal washers

Material: solid brass/stainless steel

C.C.: center to center



5260 NW 167th Street
 Miami Gardens, FL 33014
 Phone: (877) 658-9008
 Fax: (888) 280-2285

Product: Mitered Corner Tubular Pull	
Code: MC606	Material: Stainless Steel