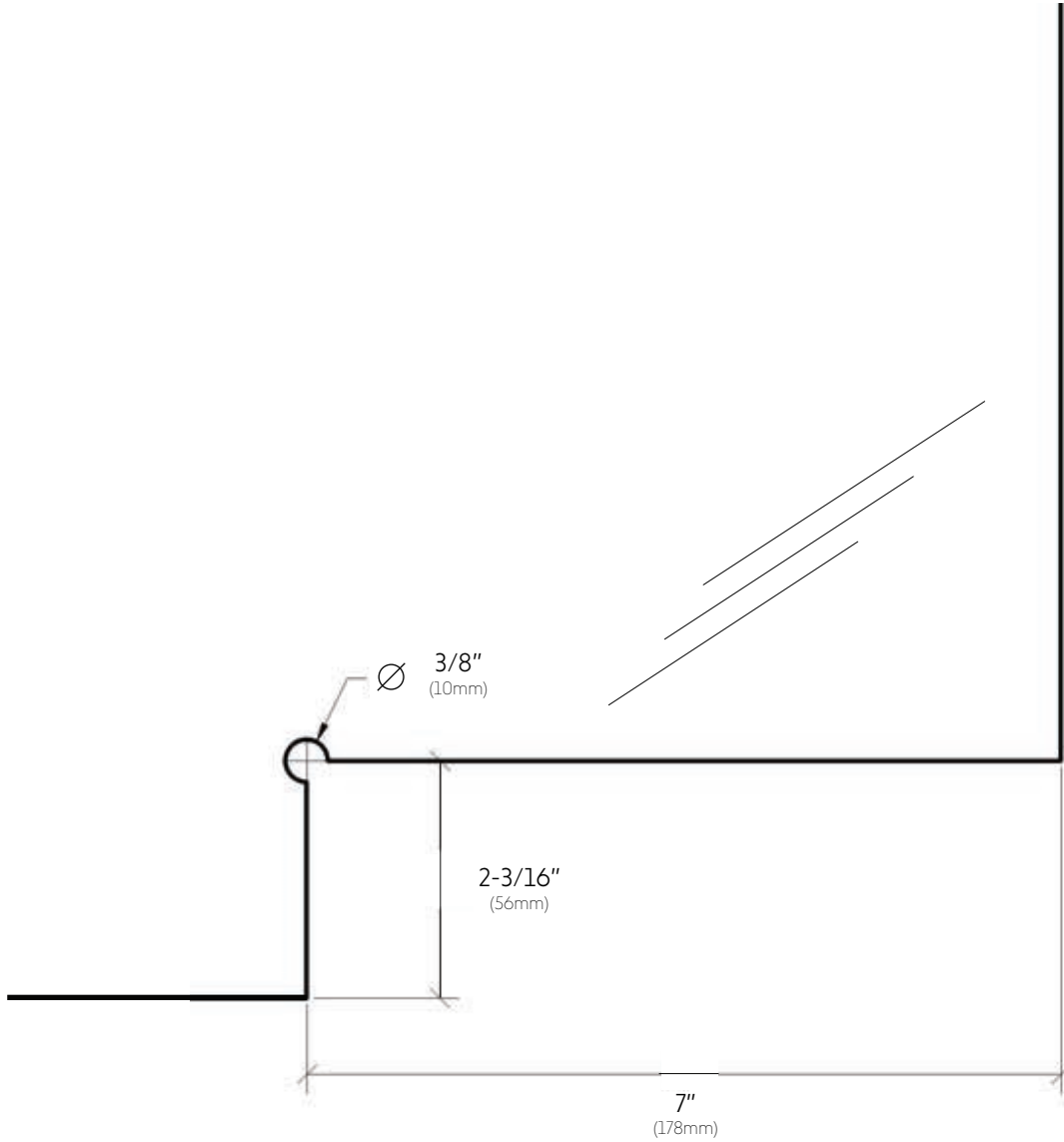
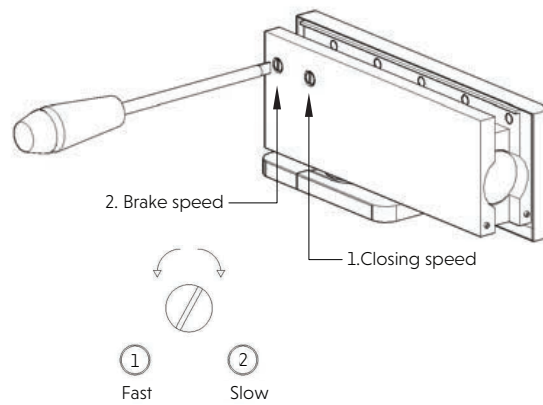
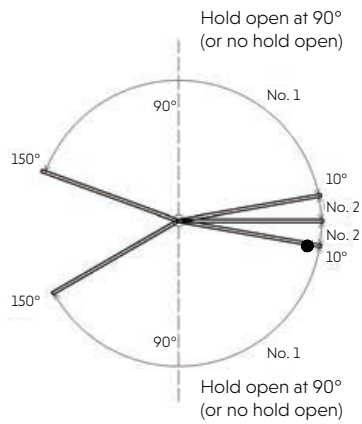


5260 NW 167th Street  
 Miami Gardens, FL 33014  
 Phone: (877) 658-9008  
 Fax: (888) 280-2285

Product:	<b>Hydraulic Patch Kit - Part 1: OCFH100 Dimensions</b>	
Code:		Material: Stainless Steel 316



**Note: Recommended door discount 7/8" to 1"**

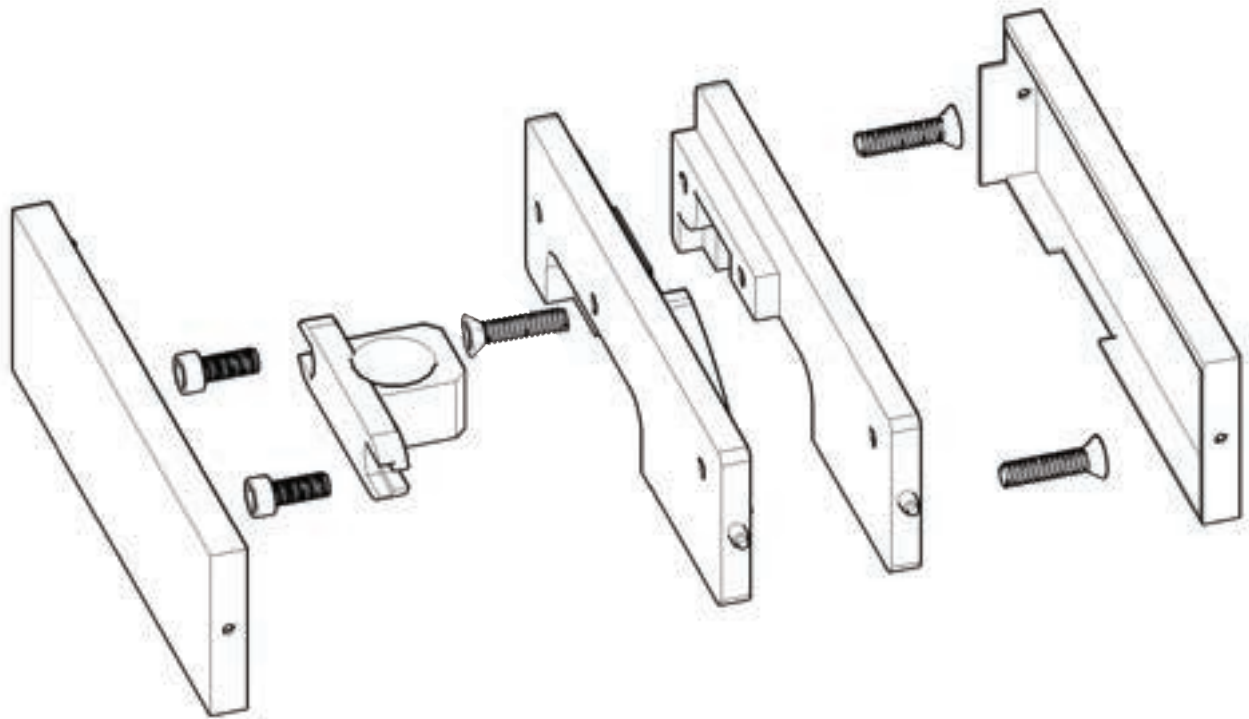
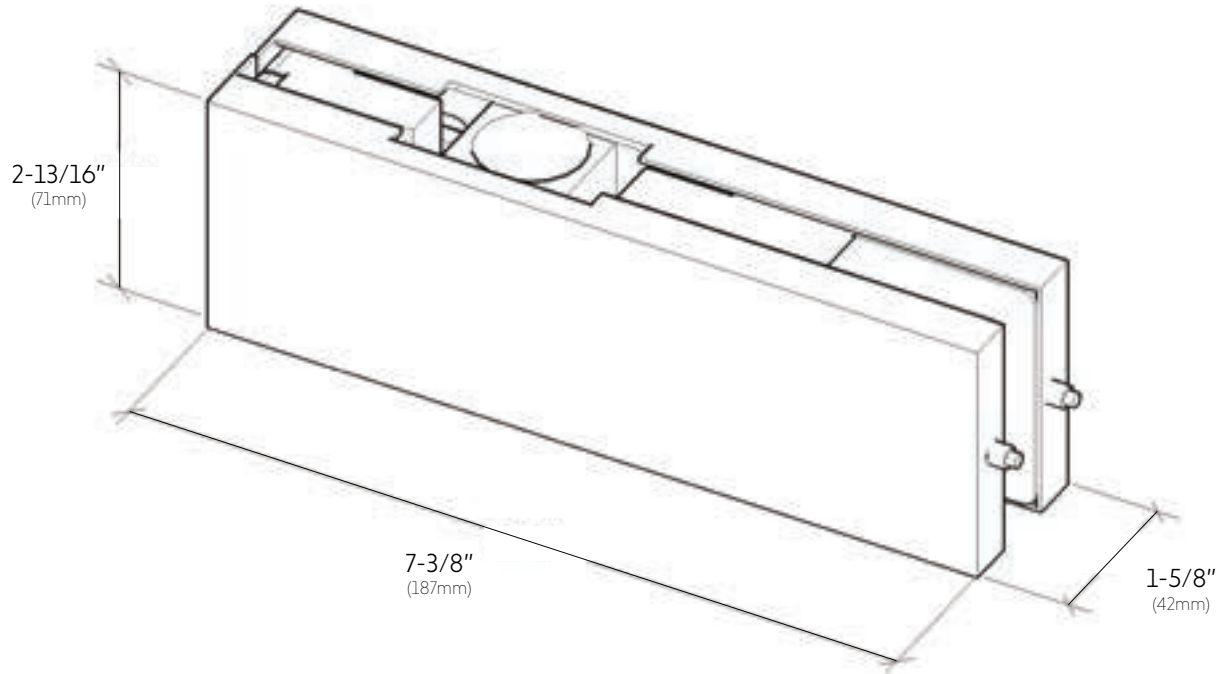


5260 NW 167th Street  
 Miami Gardens, FL 33014  
 Phone: (877) 658-9008  
 Fax: (888) 280-2285

Product: **Hydraulic Patch Kit -  
 Part 1: OCFH100 Cut-Out**

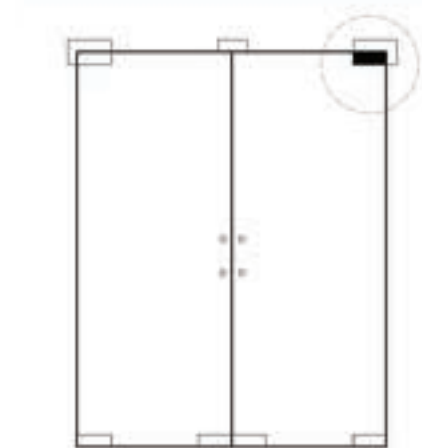
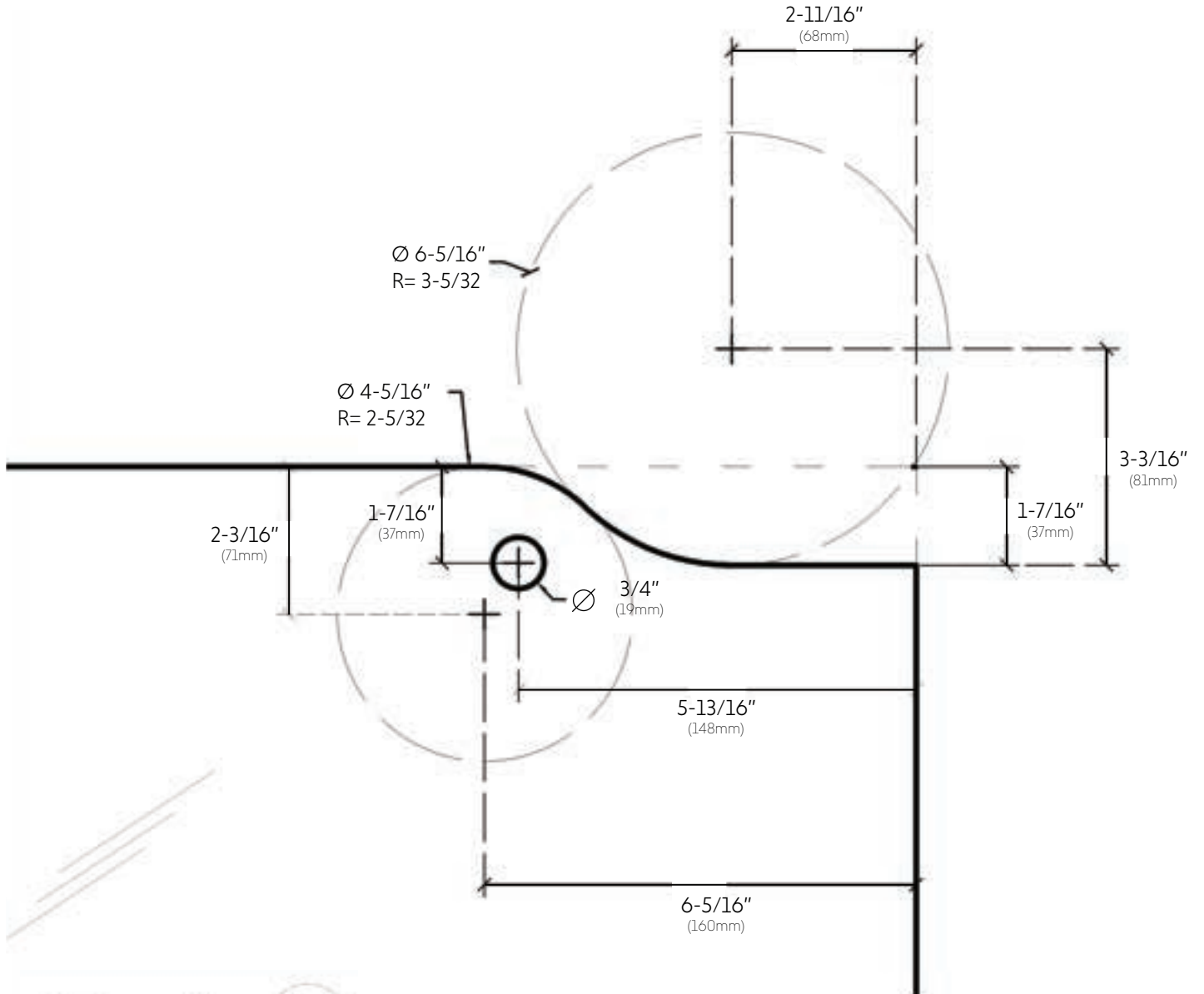
Code:

Material: **Stainless Steel 316**



5260 NW 167th Street  
 Miami Gardens, FL 33014  
 Phone: (877) 658-9008  
 Fax: (888) 280-2285

Product: <b>Hydraulic Patch Kit - Part 2: PFH102 Dimensions</b>	
Code:	Material: <b>Stainless Steel 316</b>



**Note: Recommended door discount 7/8" to 1"**



5260 NW 167th Street  
 Miami Gardens, FL 33014  
 Phone: (877) 658-9008  
 Fax: (888) 280-2285

Product:	<b>Hydraulic Patch Kit - Part 1: PFH102 Cut-Out</b>	
Code:		Material: Stainless Steel 316