

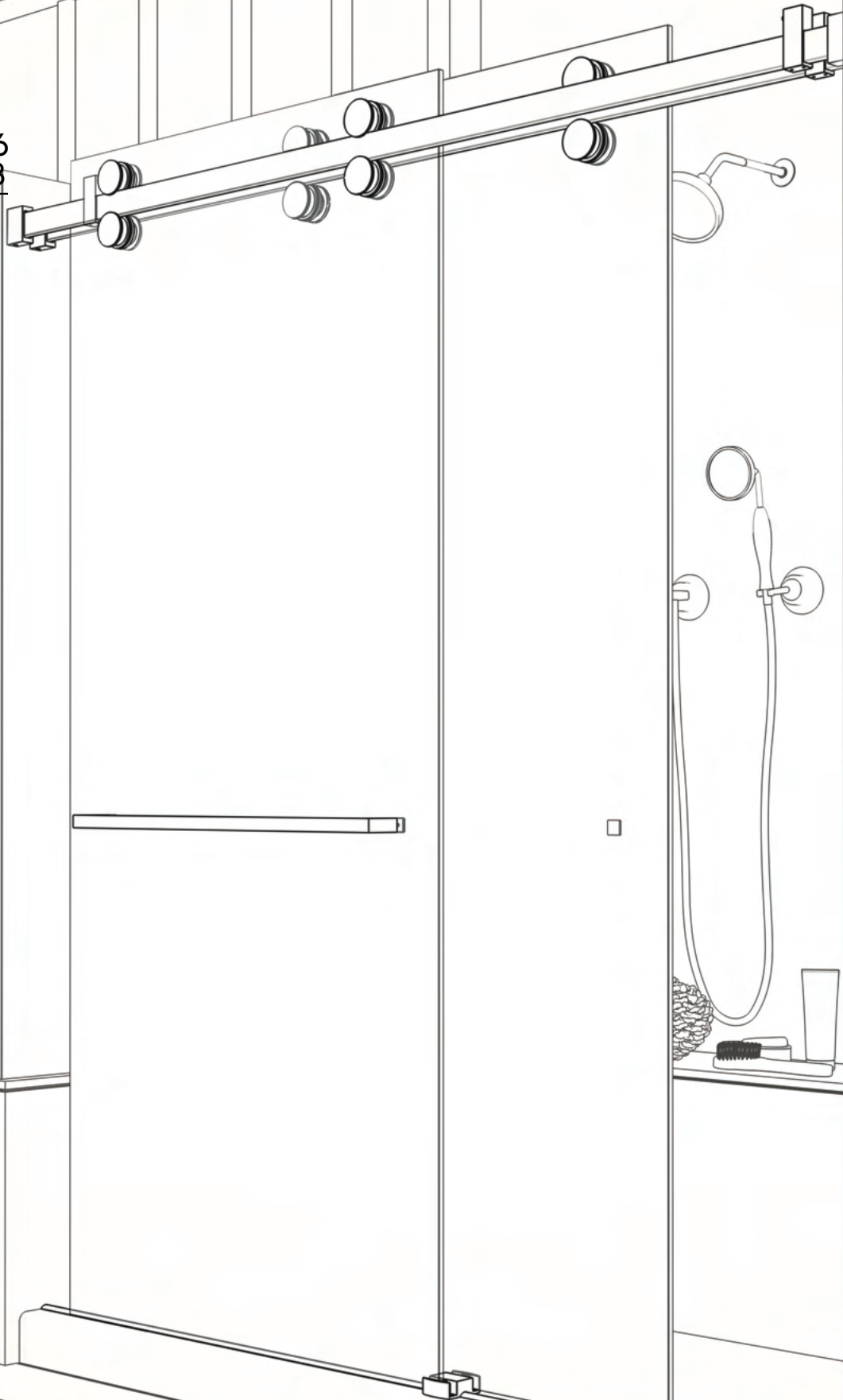


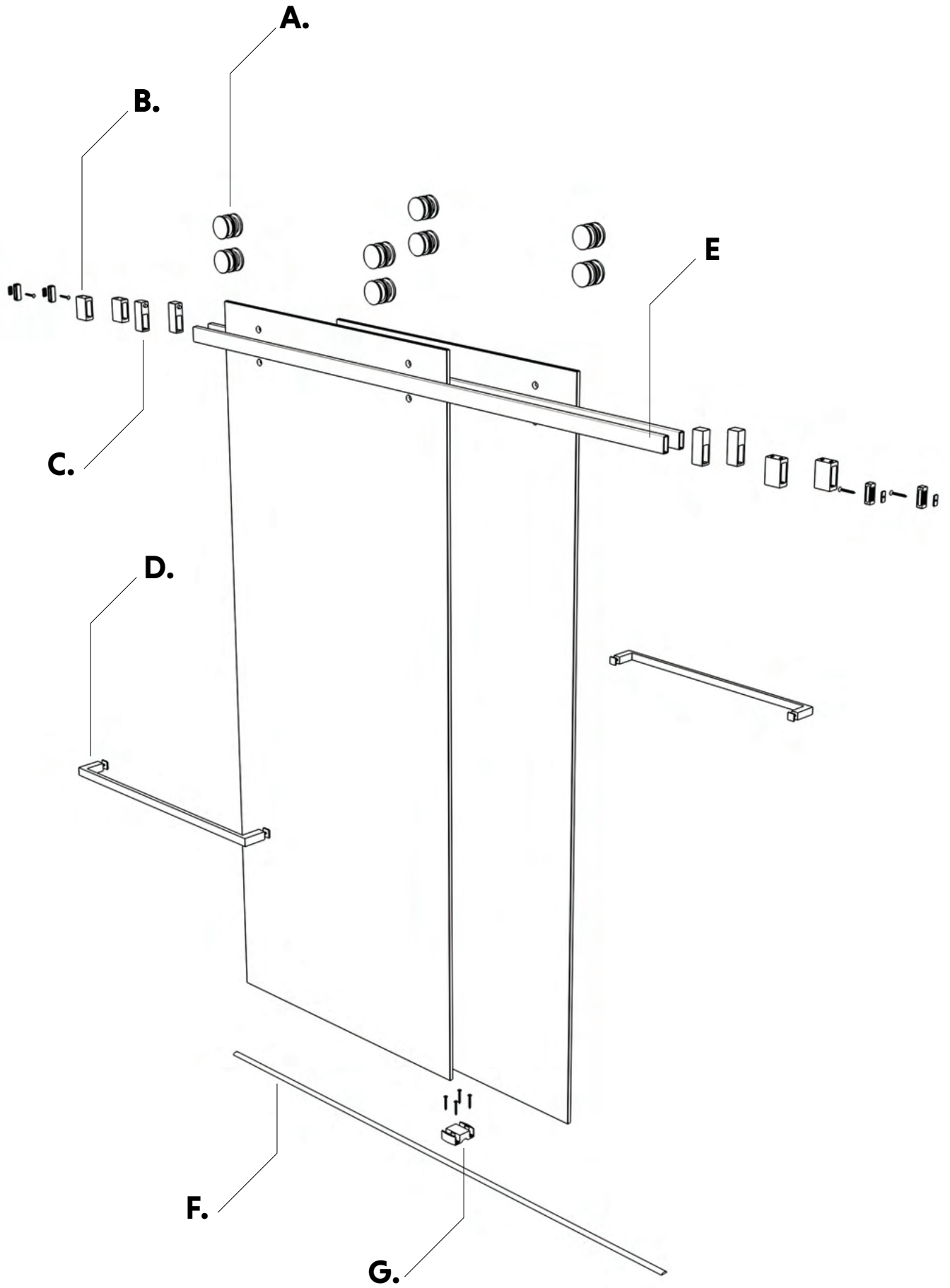
glasshardware.com

SQ Twin

Cat# TWIN72X66
TWIN72X78

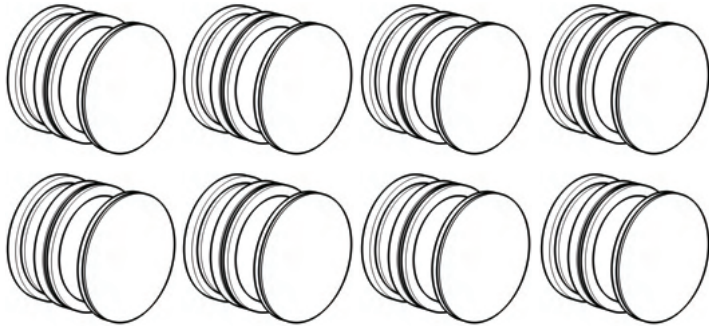
ASSEMBLY INSTRUCTIONS



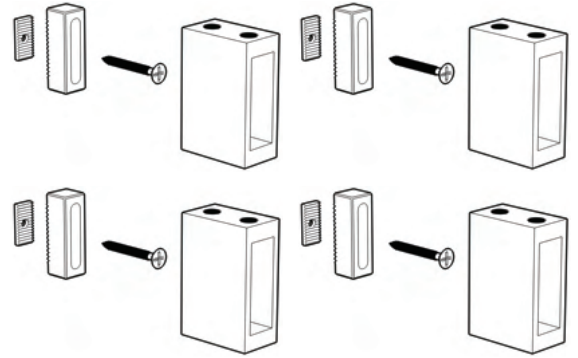


Includes

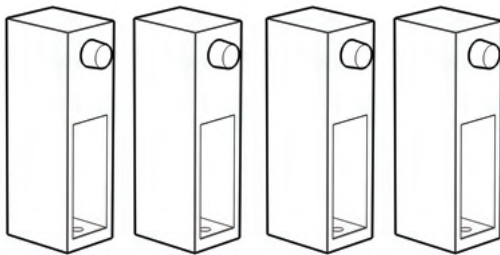
A.



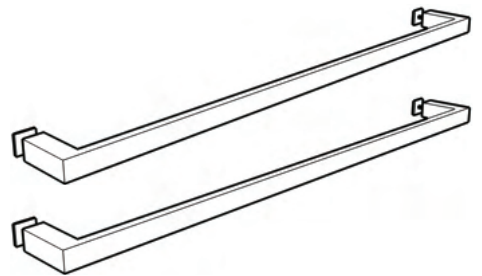
B.



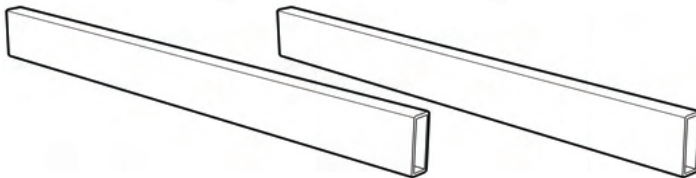
C.



D.



E.

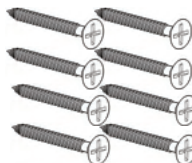
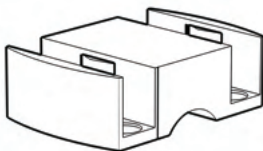


F.



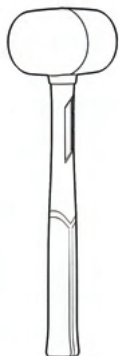
H.

Additional Items.

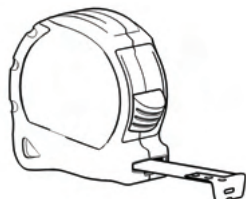


Tools Required

Rubber Mallet



Tape Measure



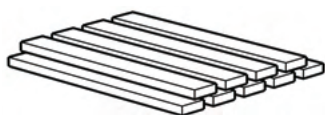
Spirit Level



Pencil



Wood Shims



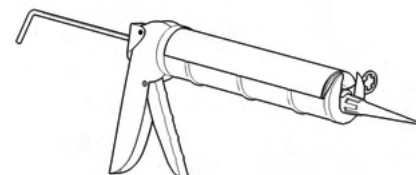
PVC Shims



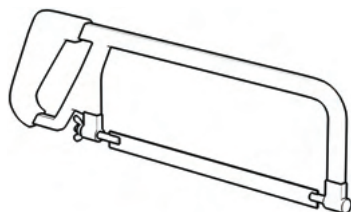
Electric Drill



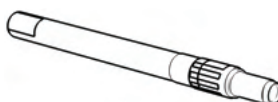
Silirub



Hacksaw



Marker



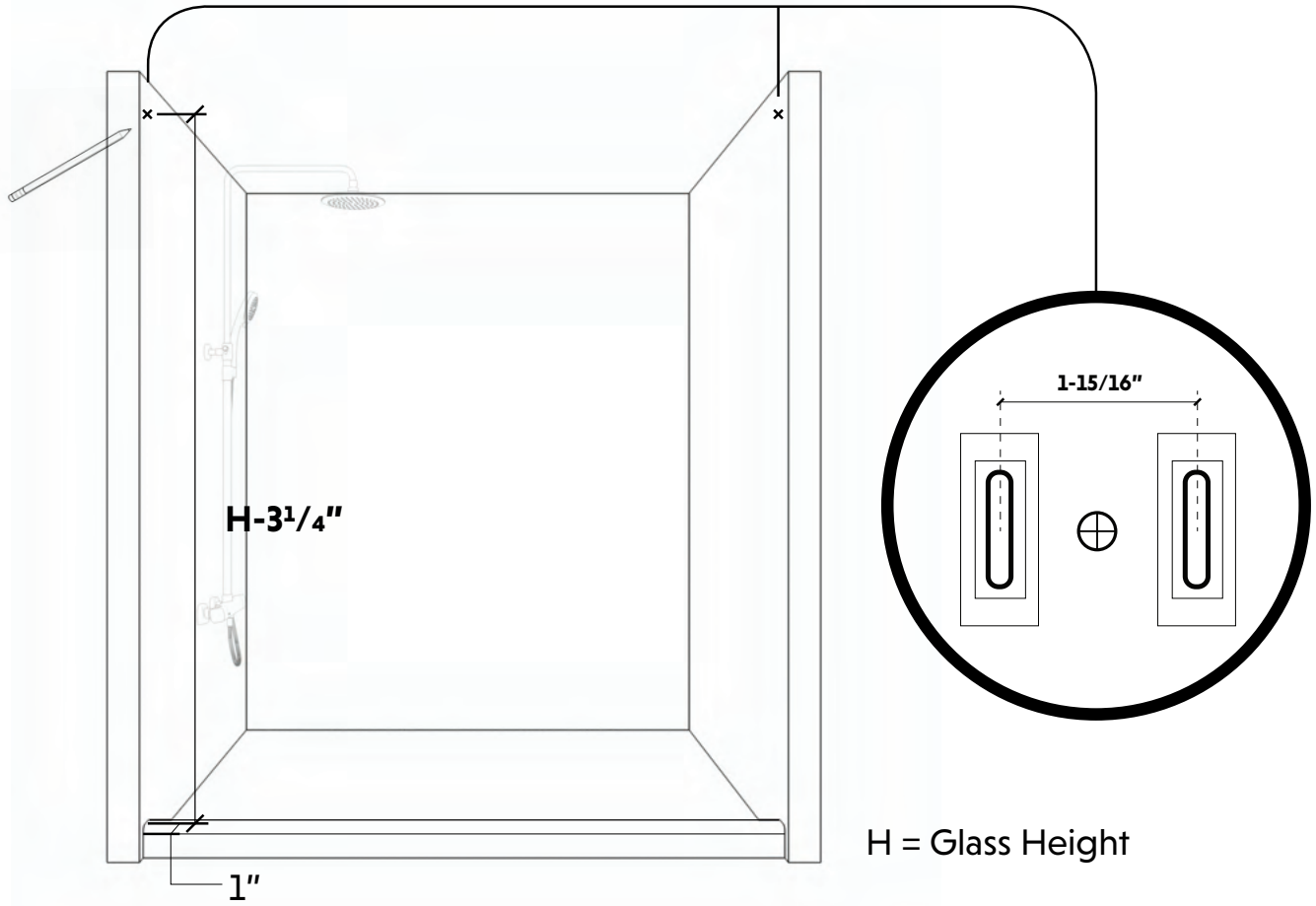
Paper Towel



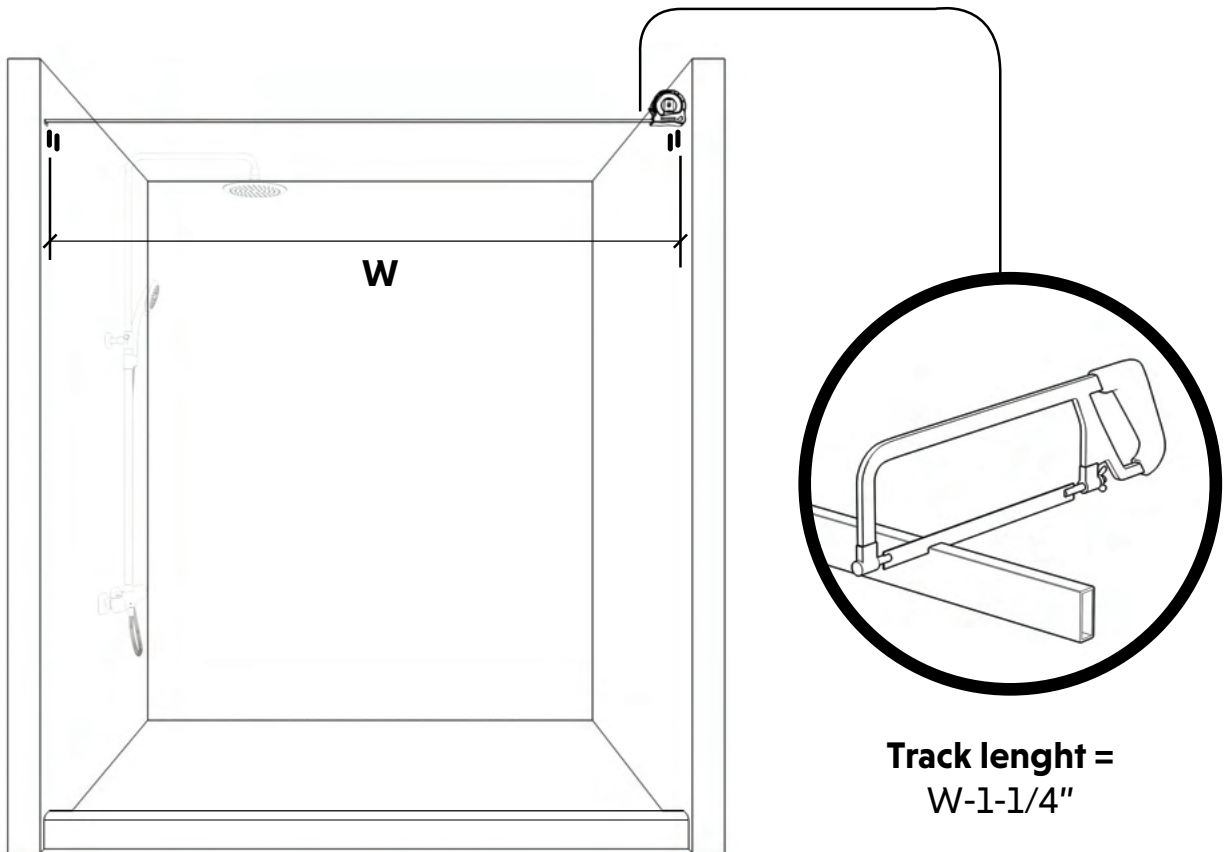
Double Side Tape



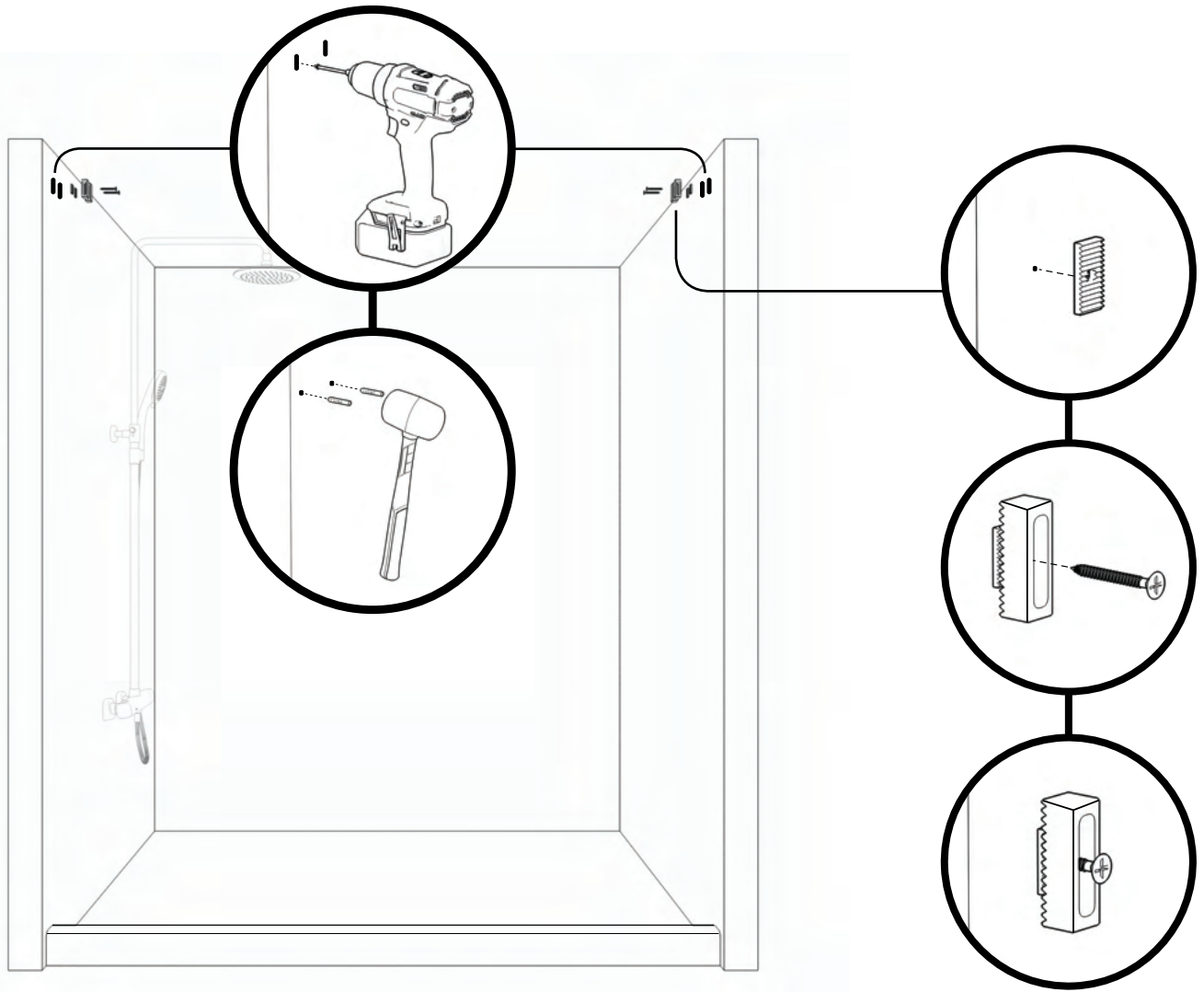
1.



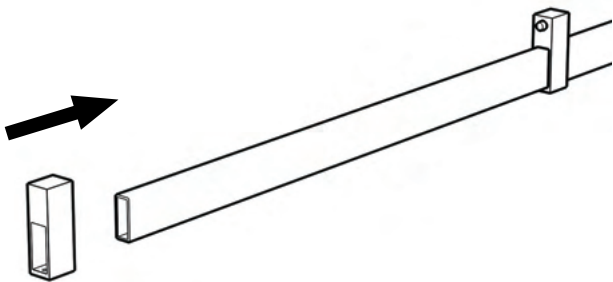
2.



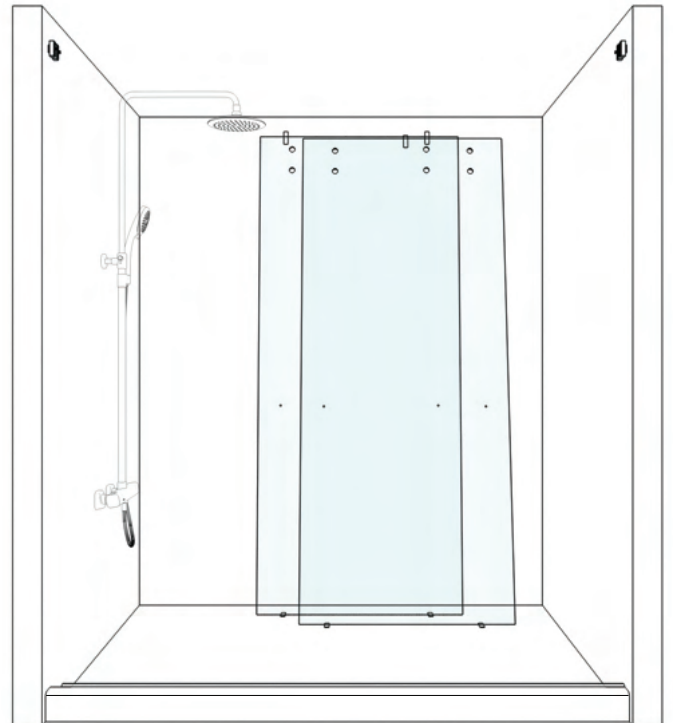
3.



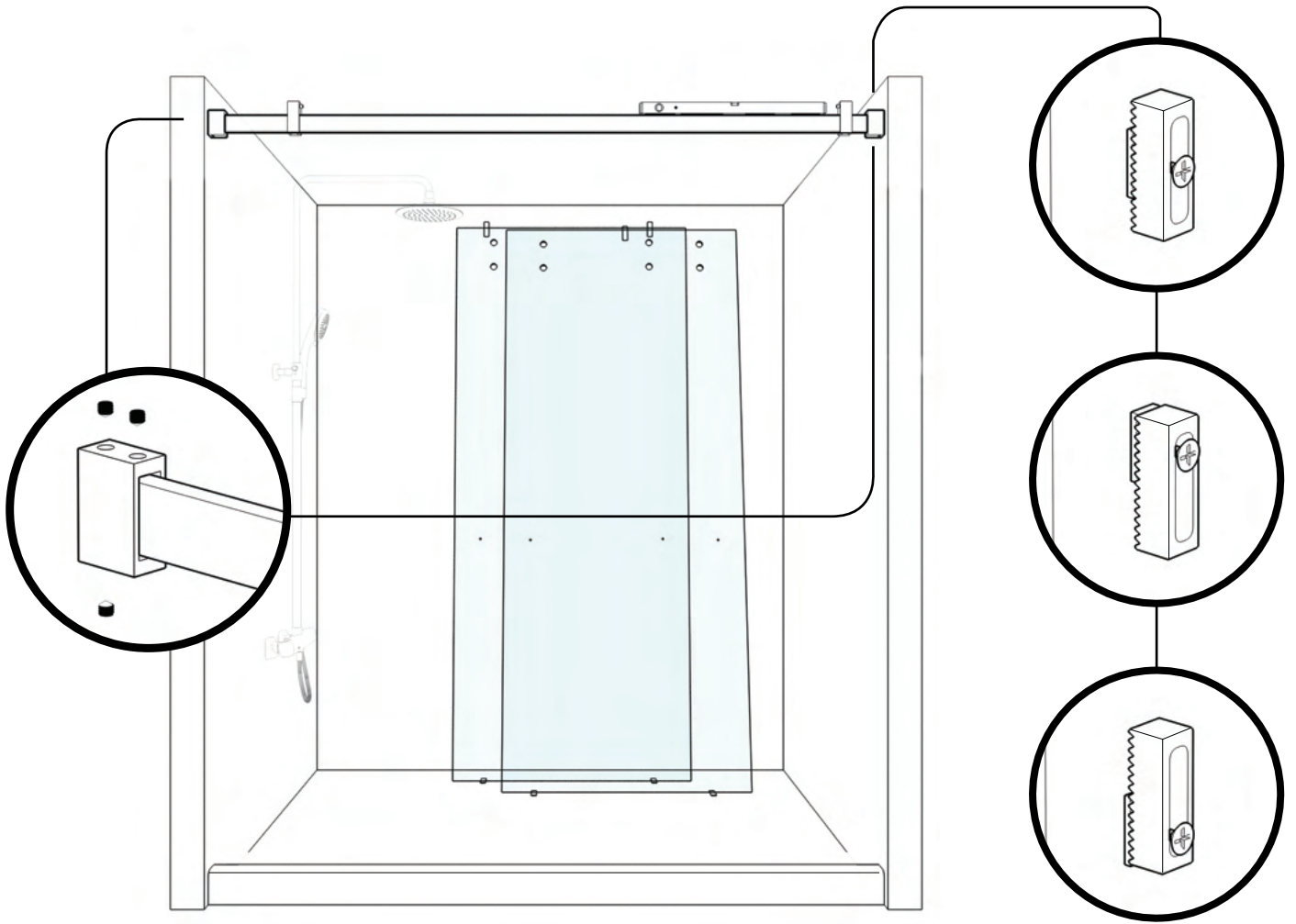
4.



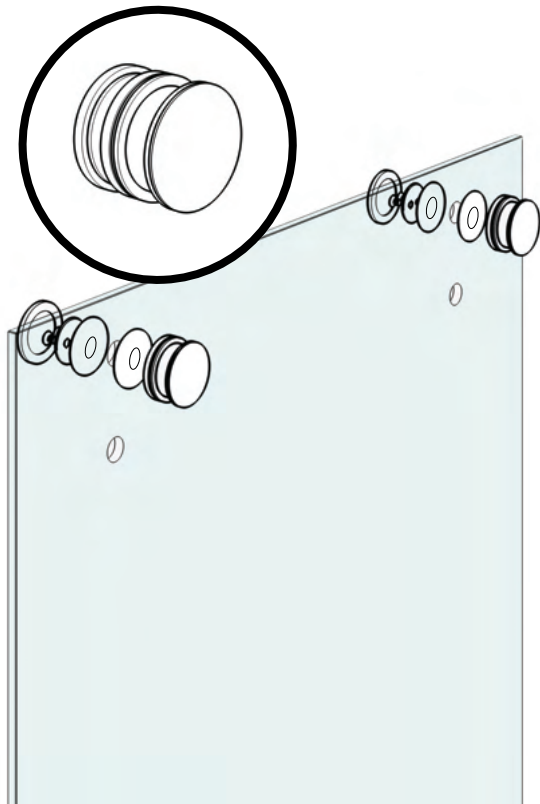
5.



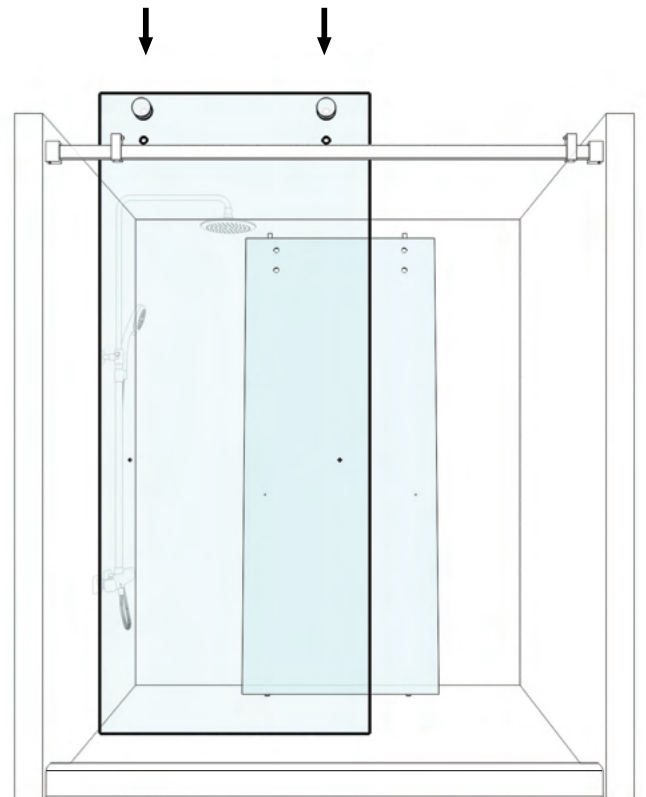
6.



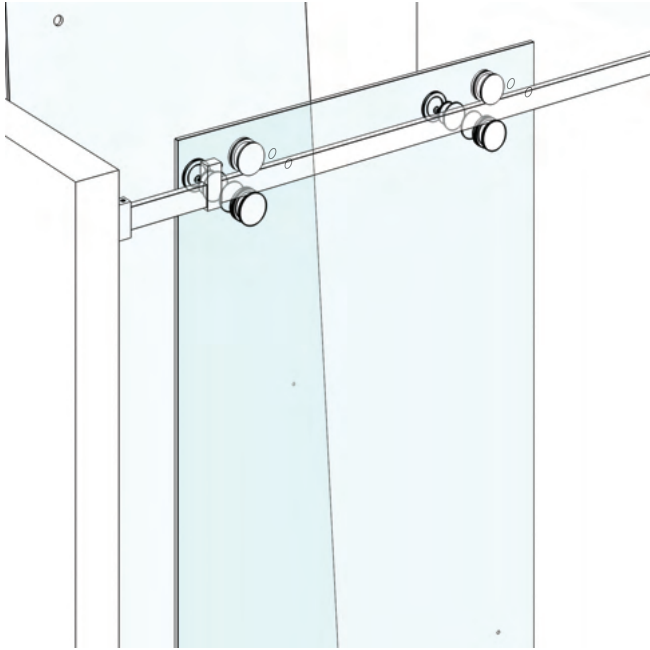
7.



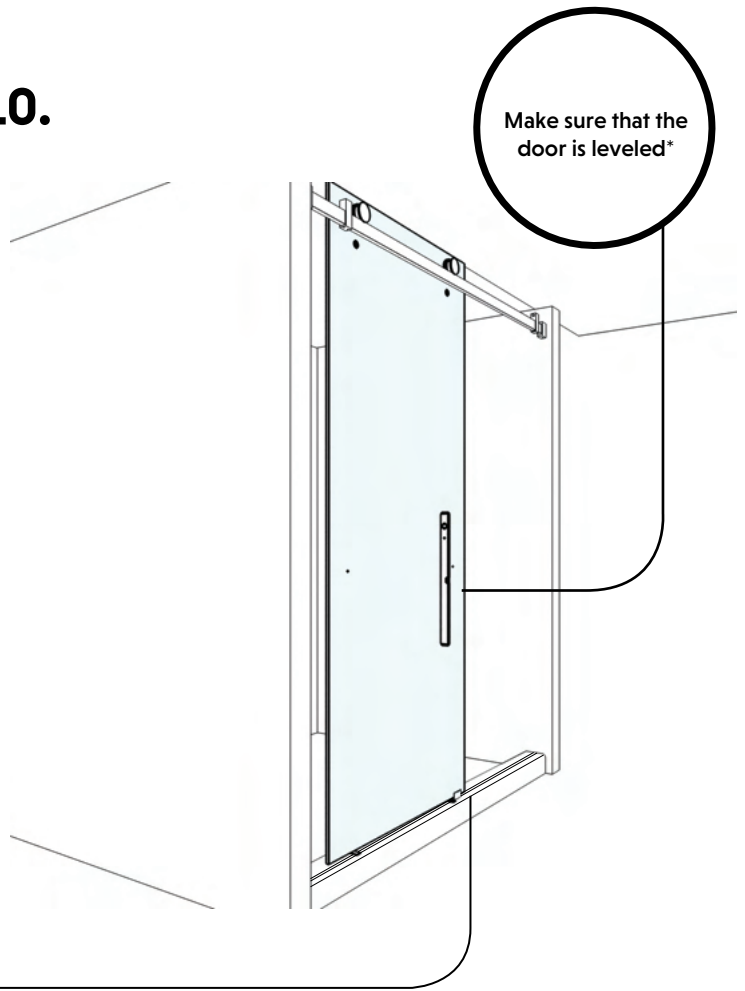
8.



9.

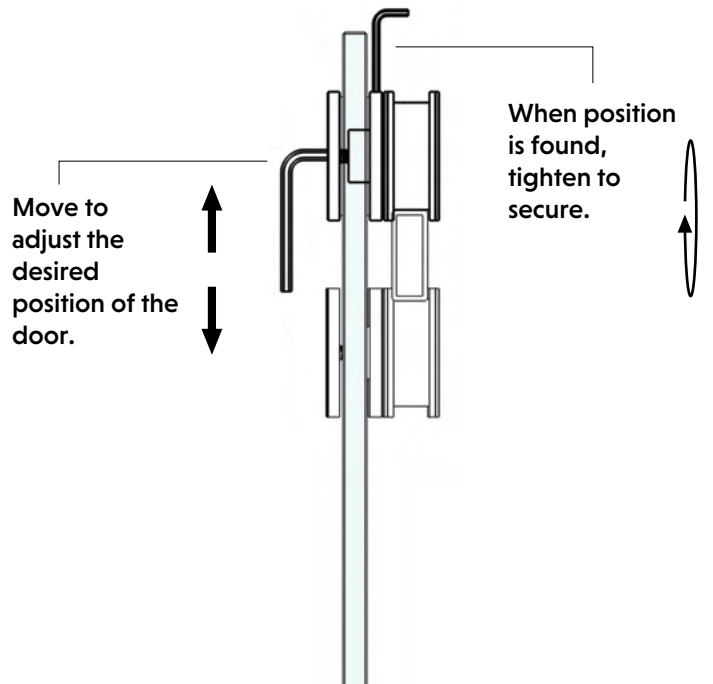
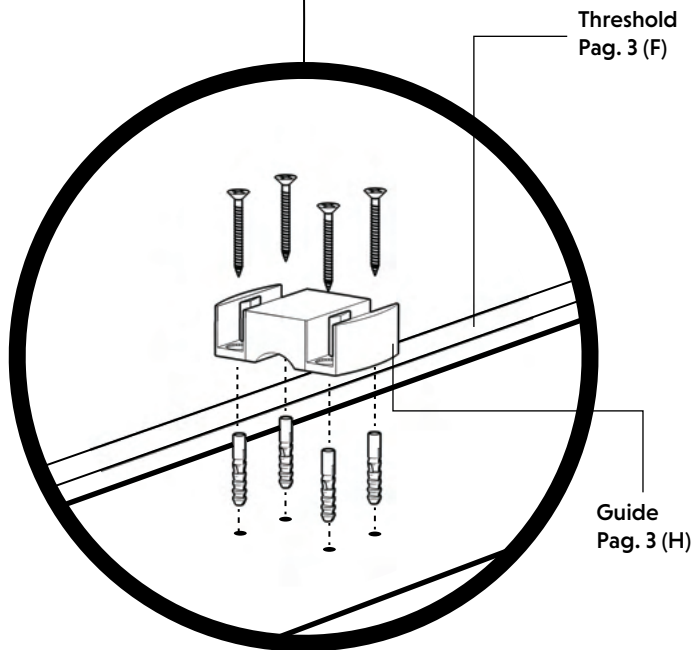


10.

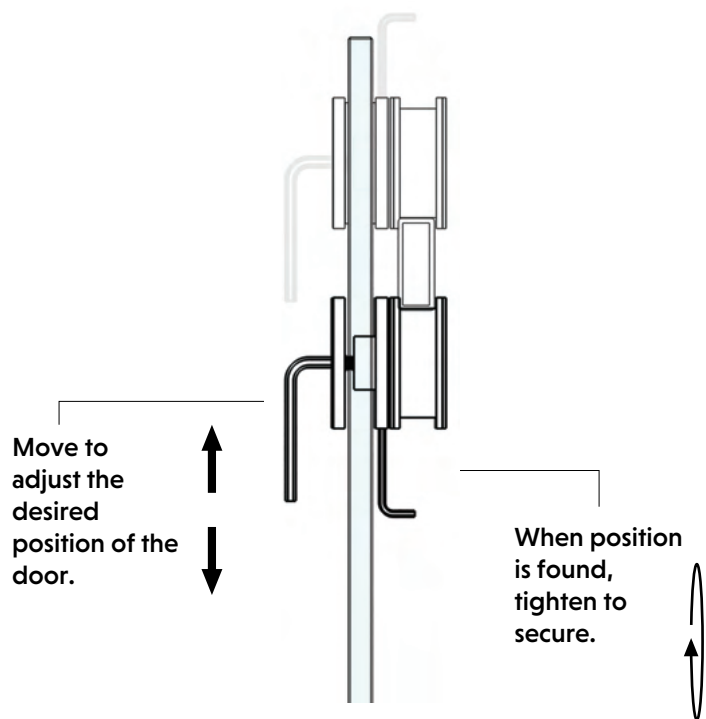


11.

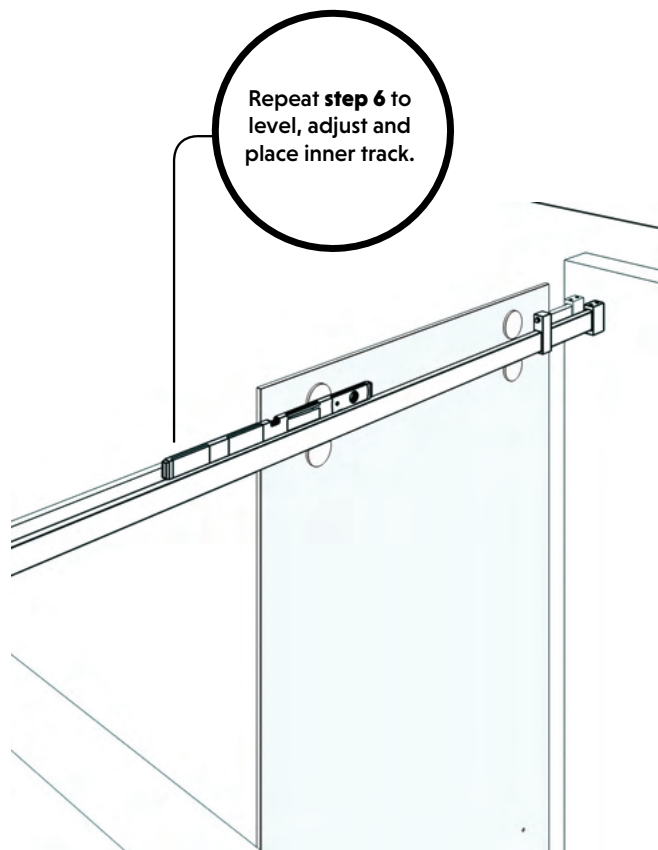
12a.



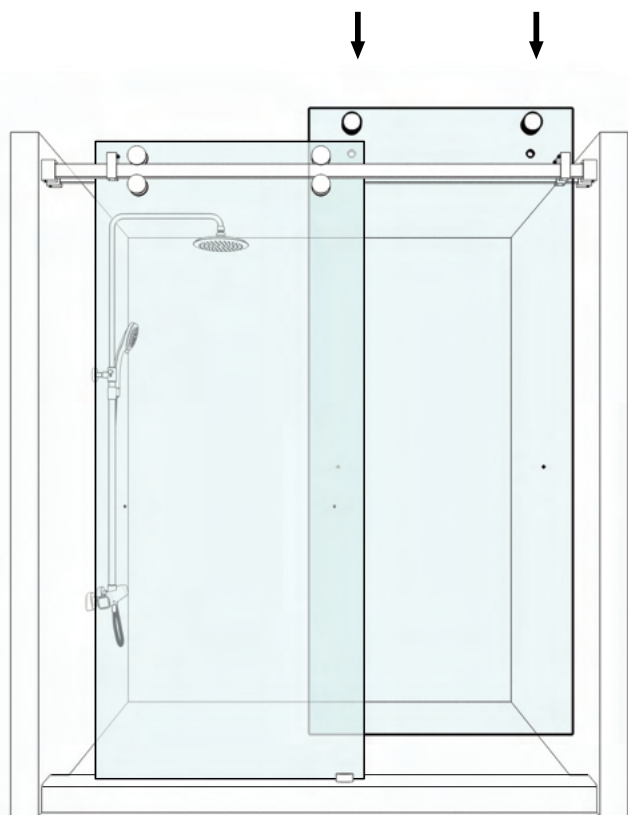
12b.



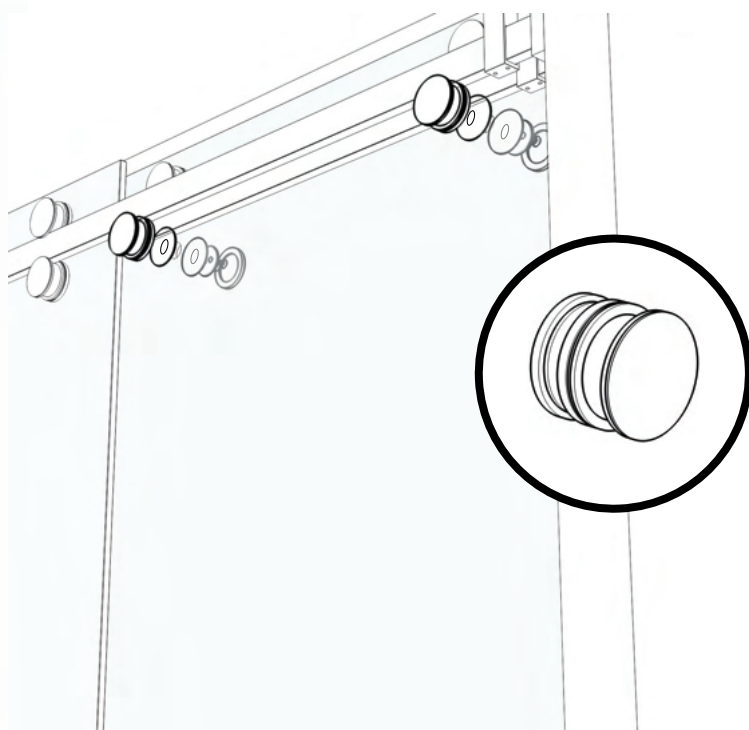
13.



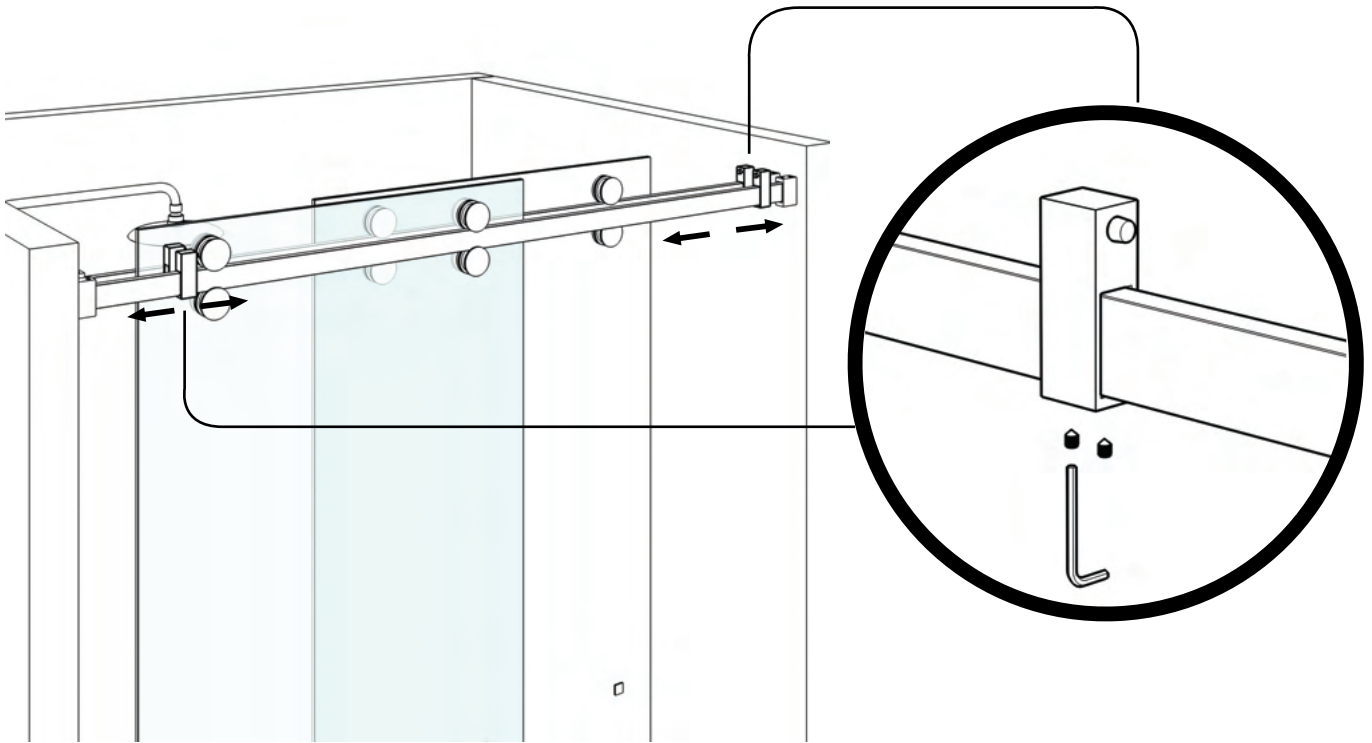
14.



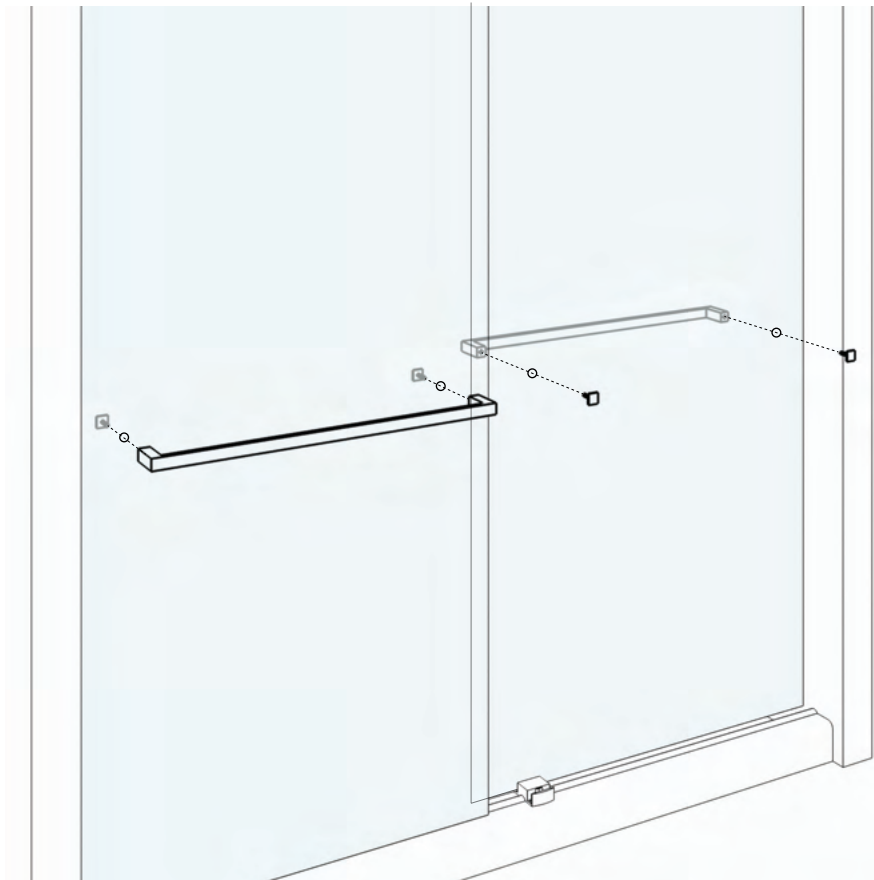
15.



16.



17.



16.

