

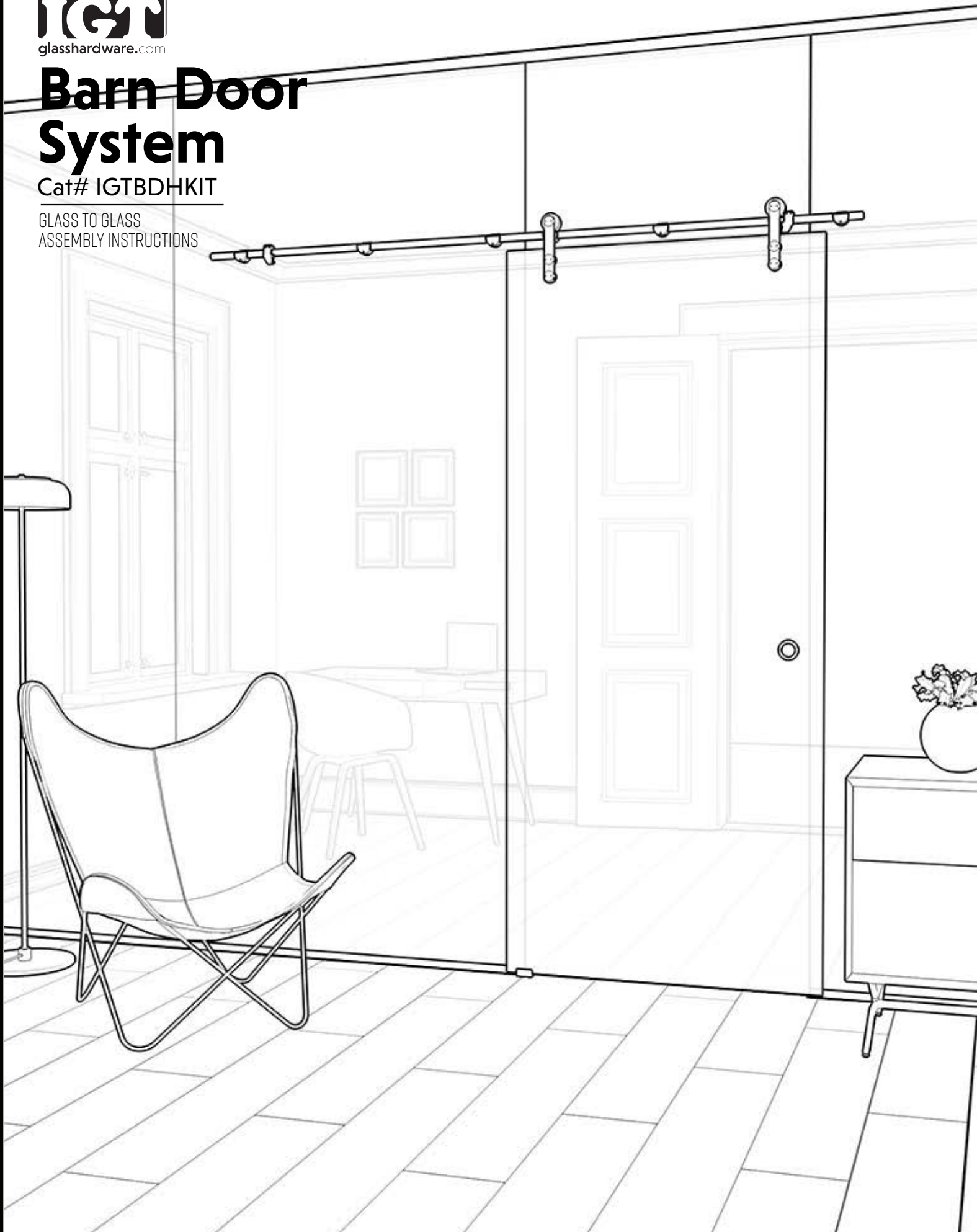


glasshardware.com

# Barn Door System

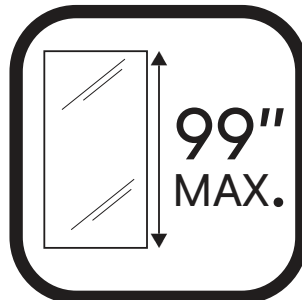
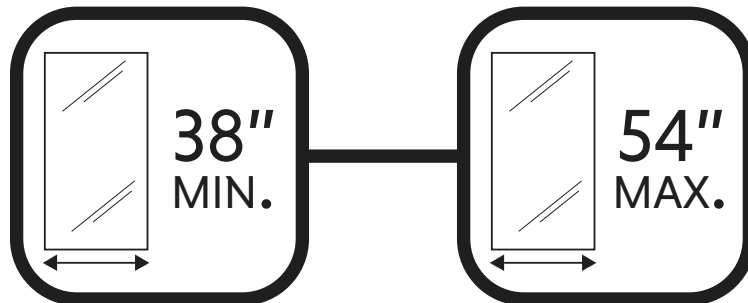
Cat# IGTBDHKIT

GLASS TO GLASS  
ASSEMBLY INSTRUCTIONS

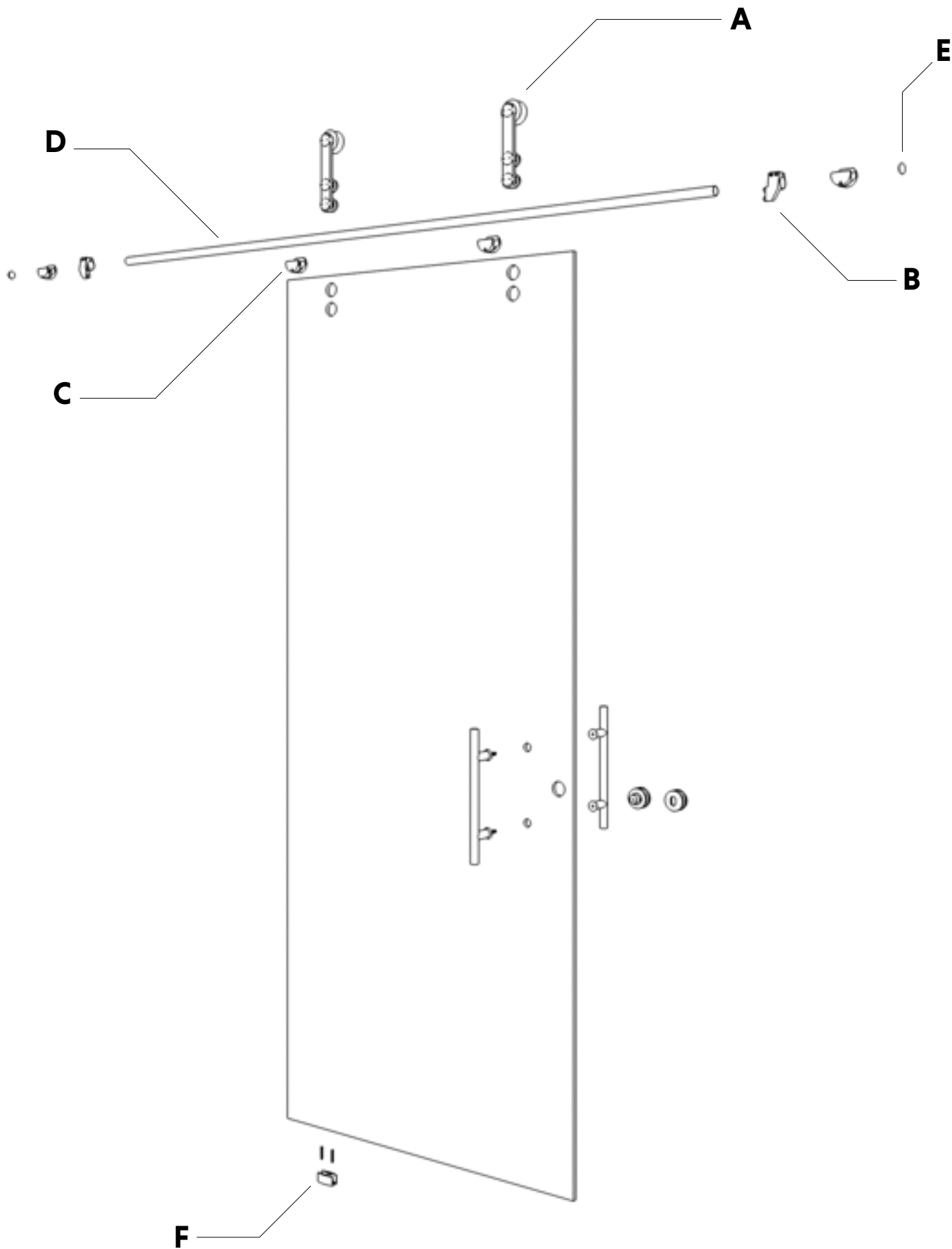




## IGT Barn Door System Technical Requirements

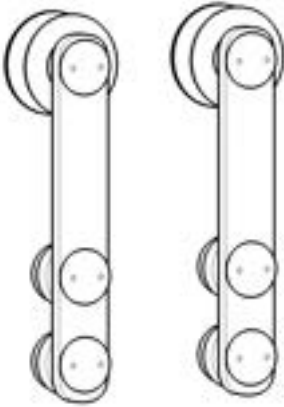


**\*Note:** Laminated glass cannot be used  
with this system

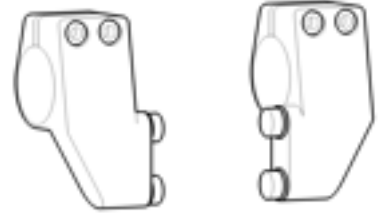


# Includes

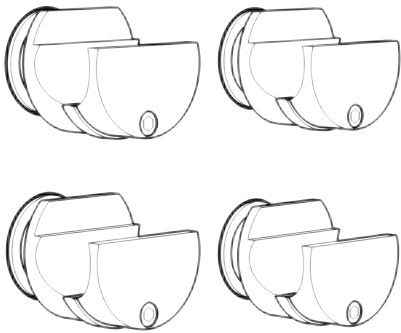
A.



B.



C.



D.



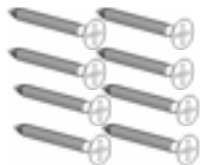
E.



F.



## Additional Items.



# Tools Required

Rubber Mallet



Tape Measure



Spirit Level



Pencil



Wood Shims



PVC Shims



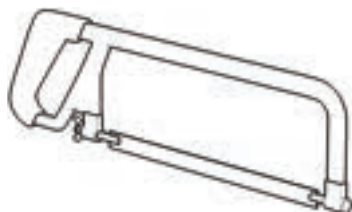
Electric Drill



Silirub



Hacksaw



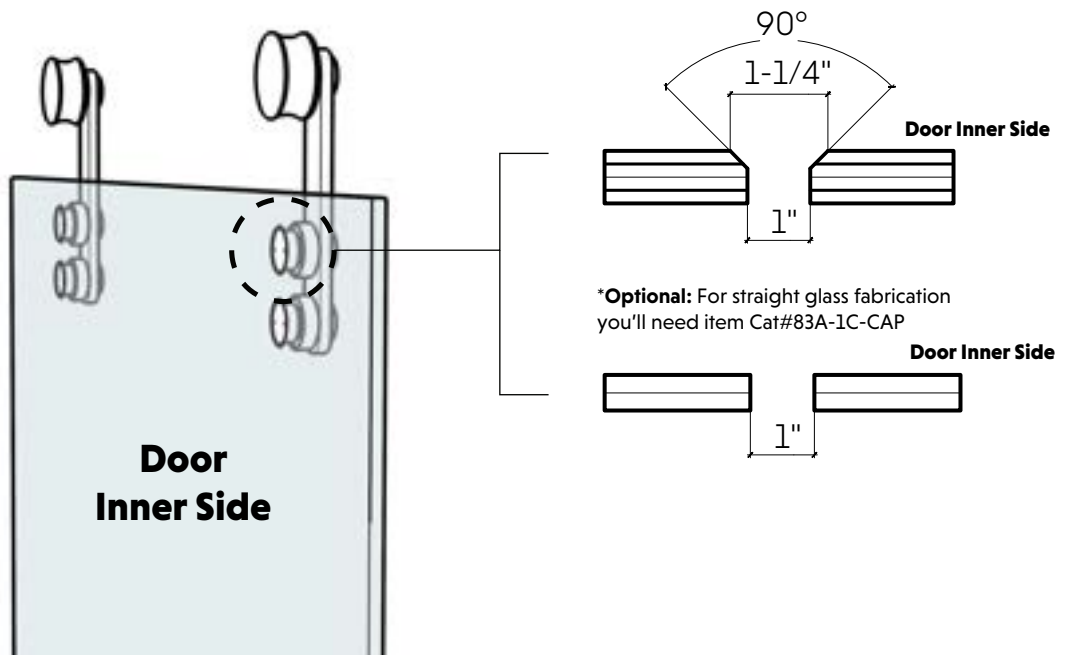
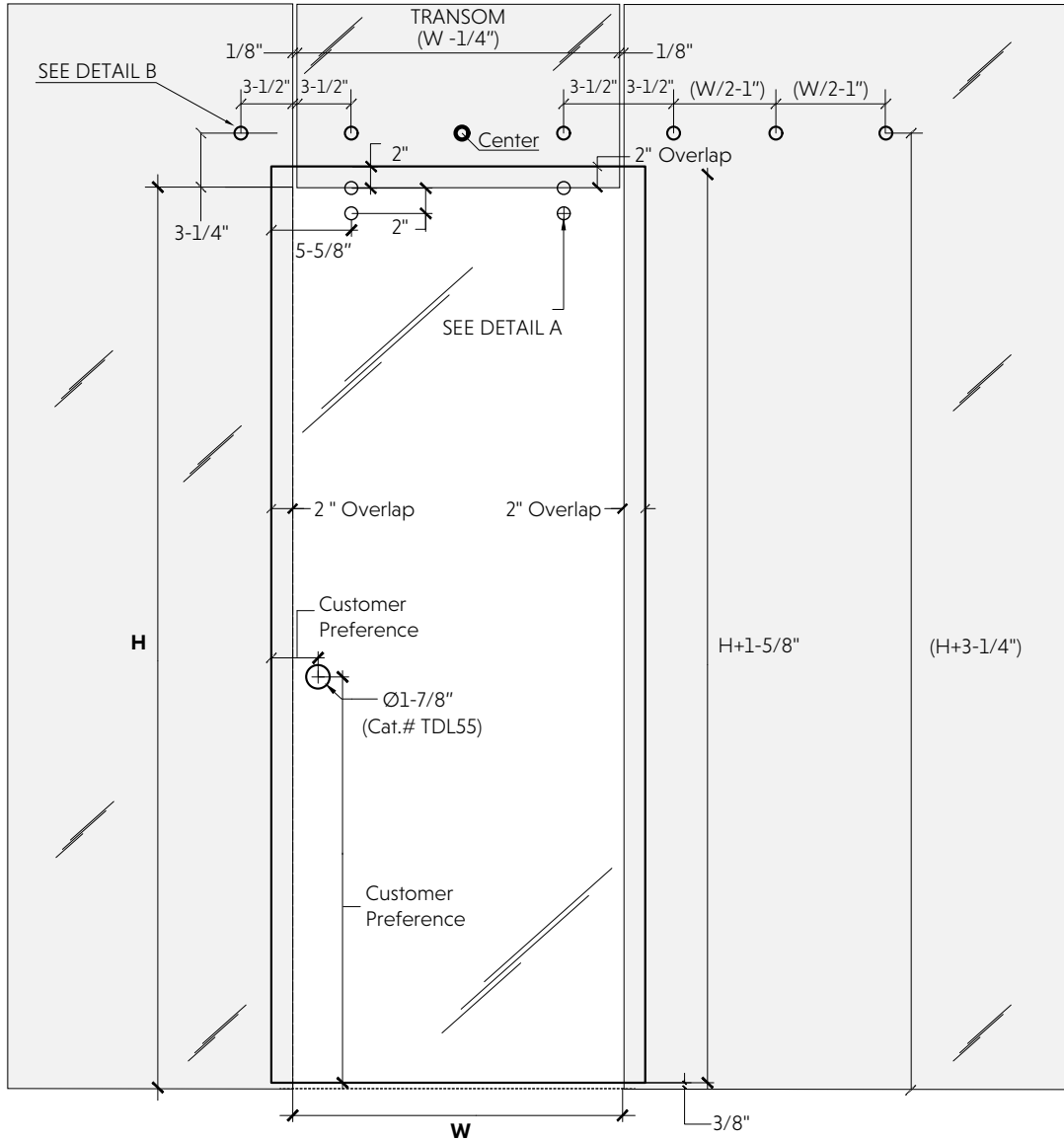
Marker



Paper Towel



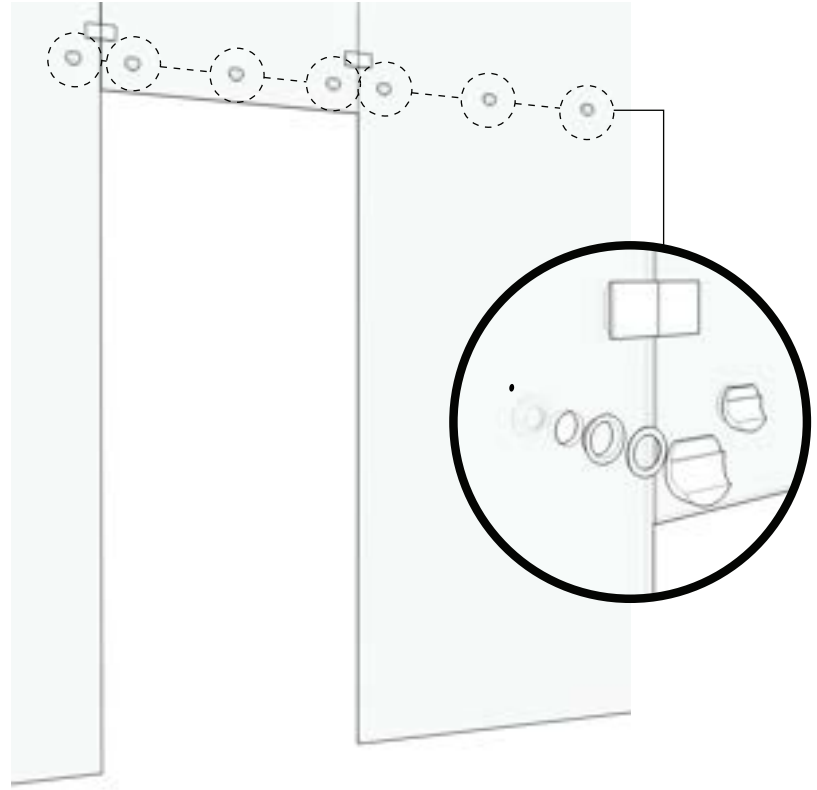
# Template



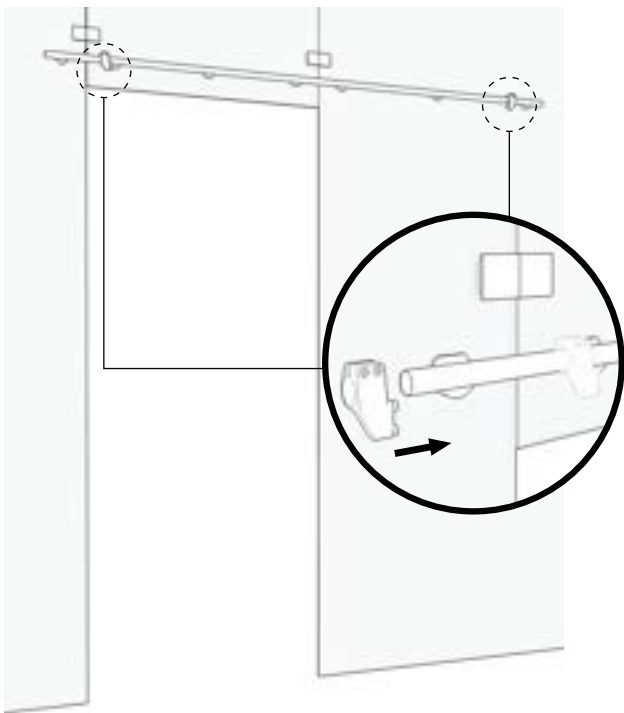
1.



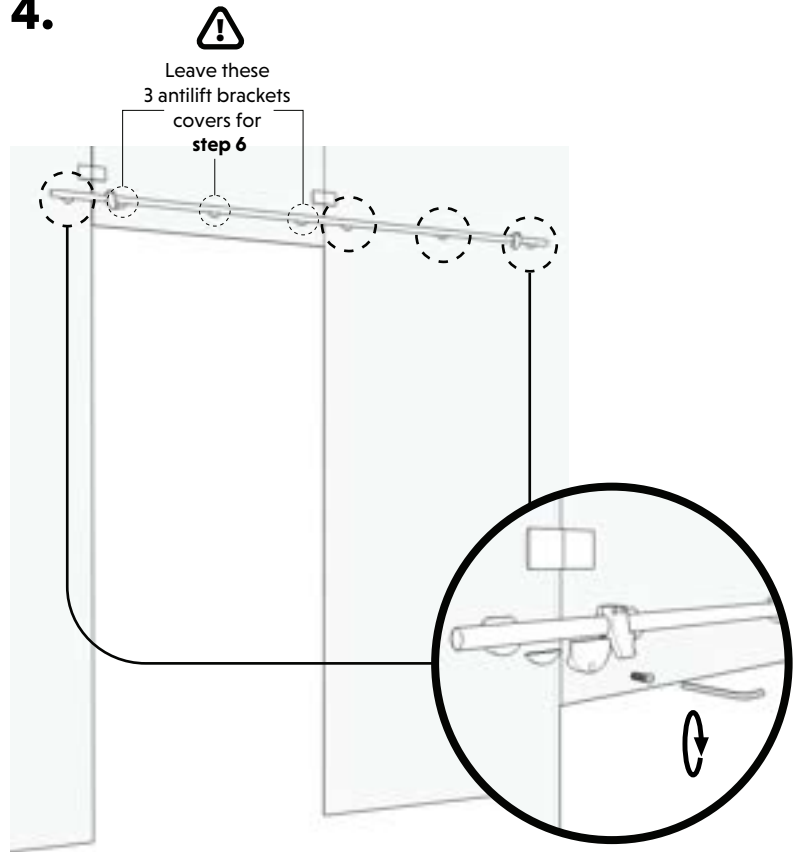
2.



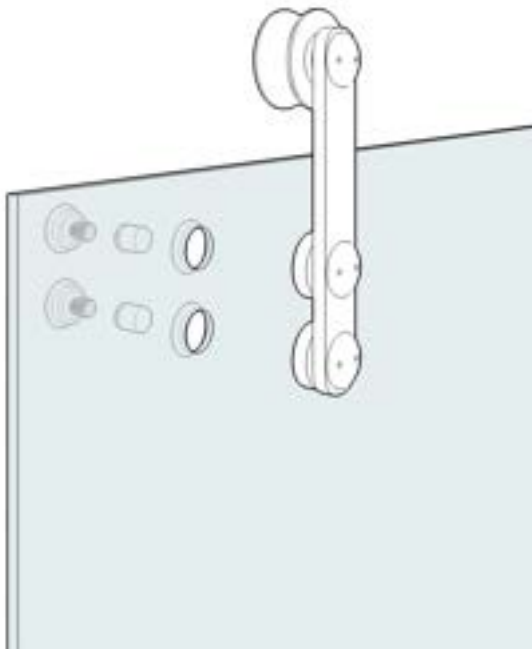
3.



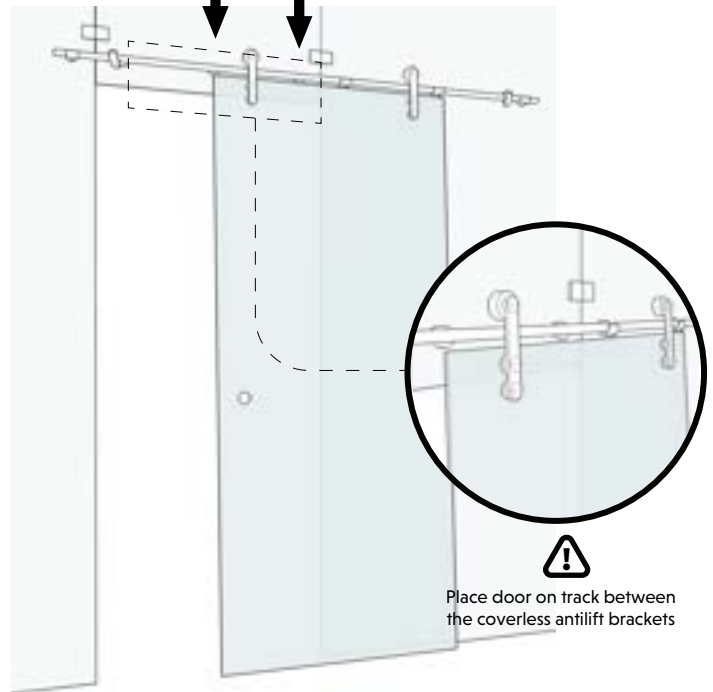
4.



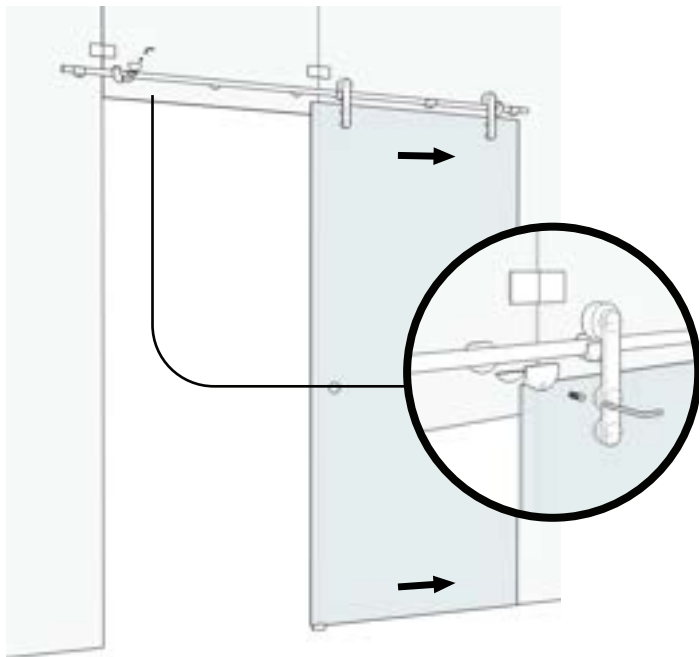
5.



6.



7.

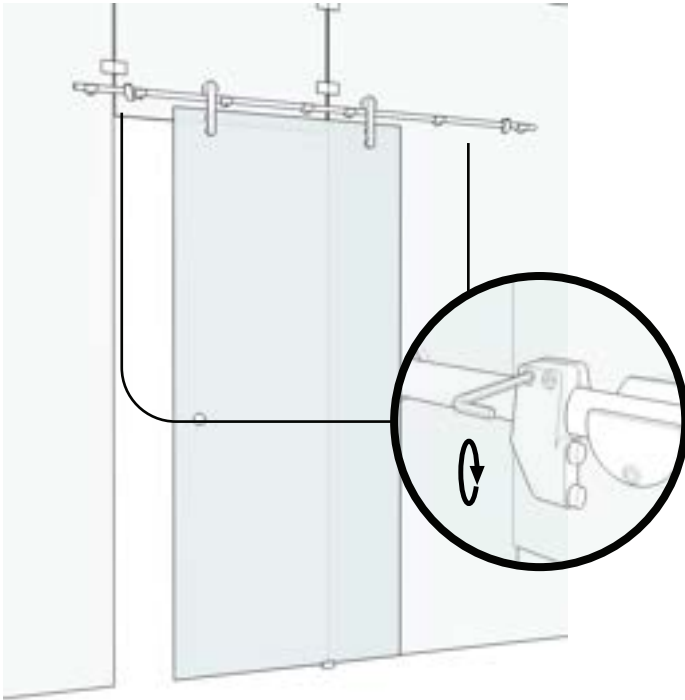


8.

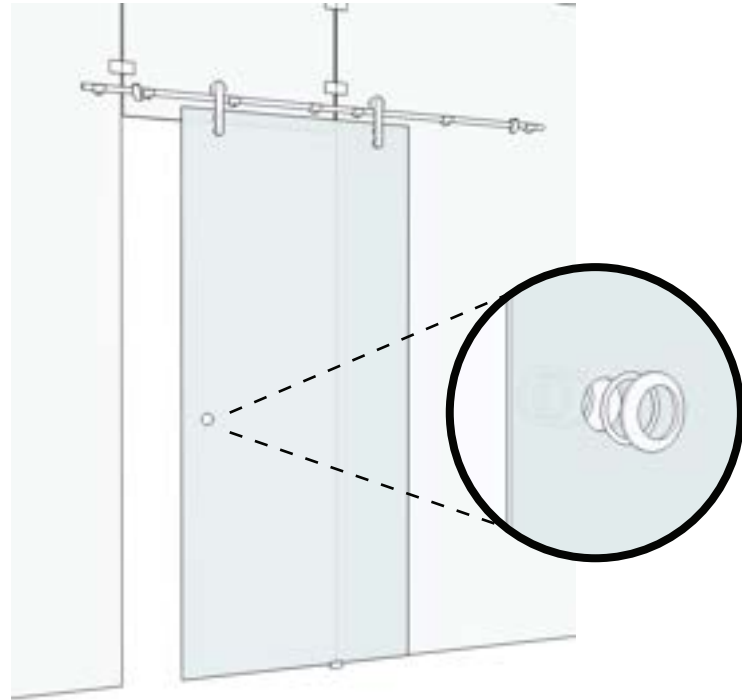




8.



9.



10.

