

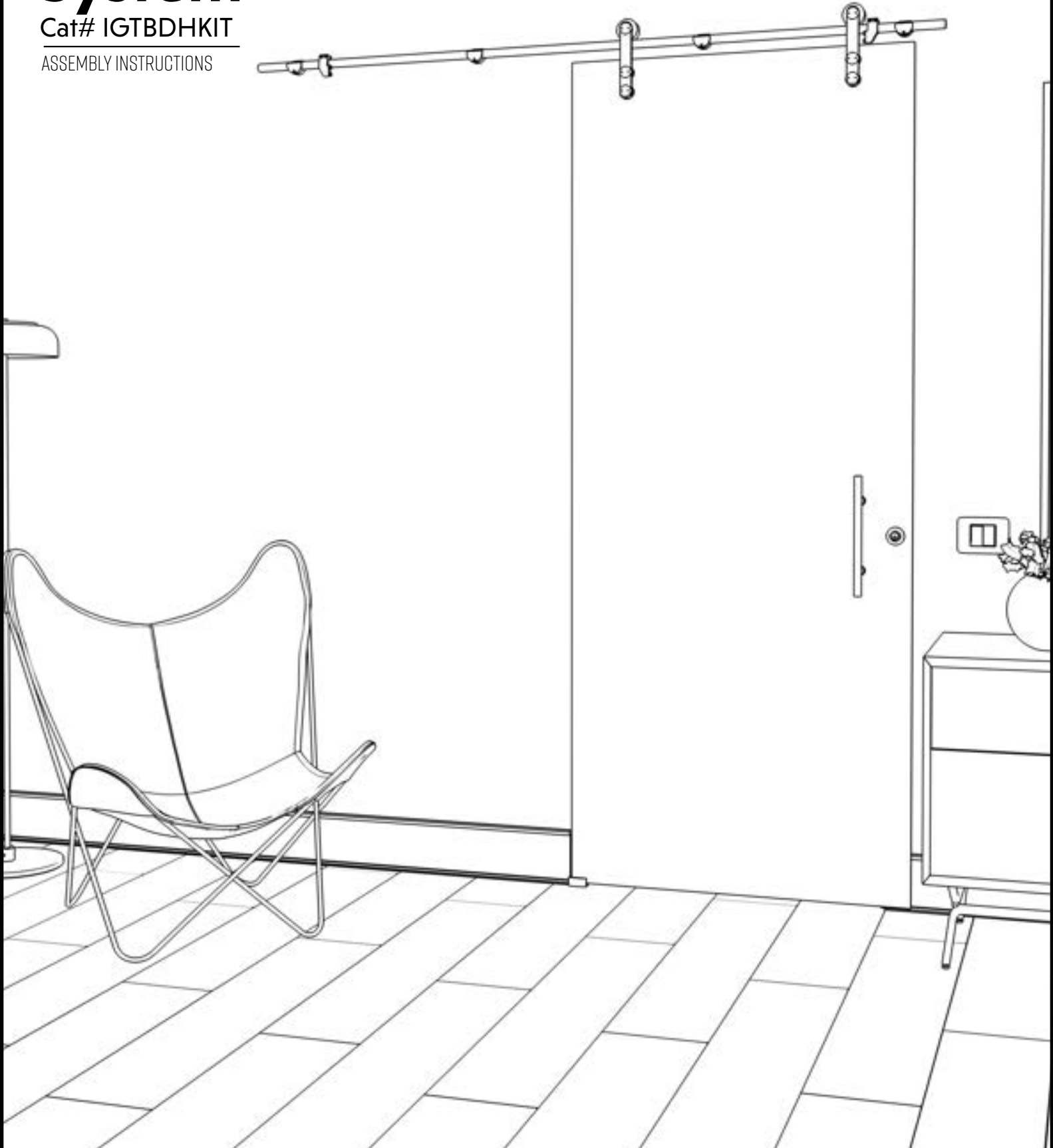


glasshardware.com

Barn Door System

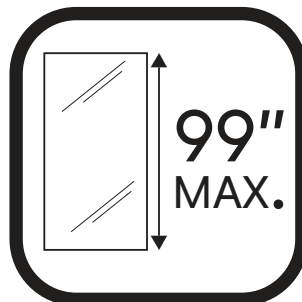
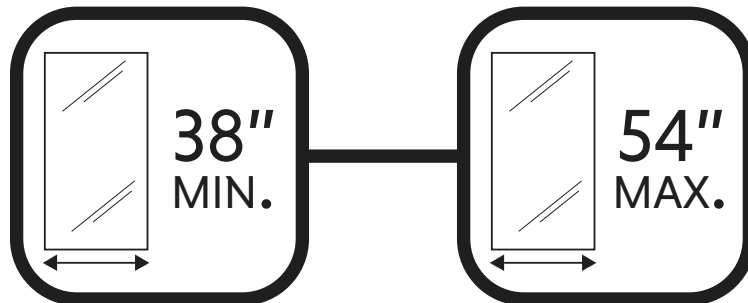
Cat# IGTBDHKIT

ASSEMBLY INSTRUCTIONS

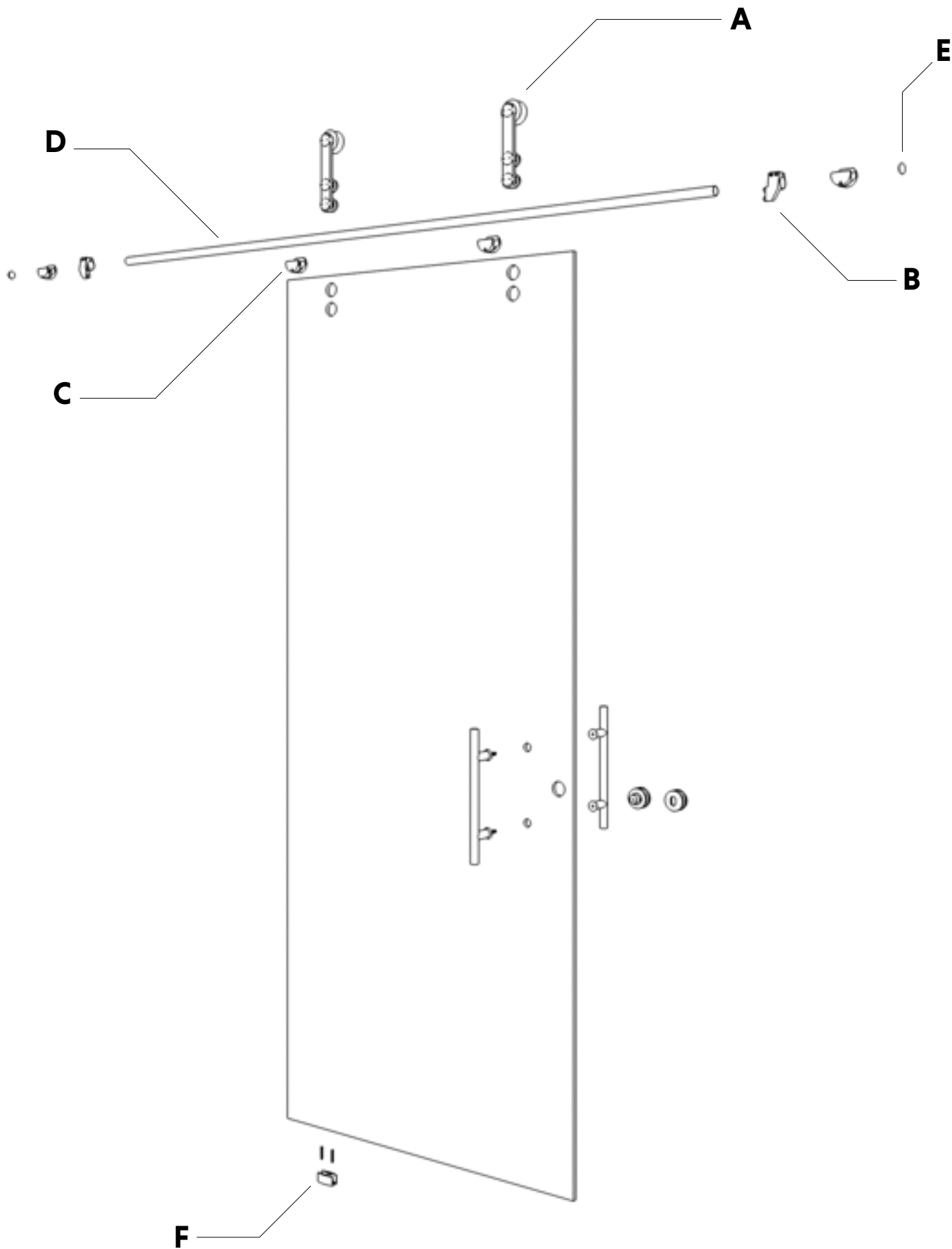




IGT Barn Door System Technical Requirements

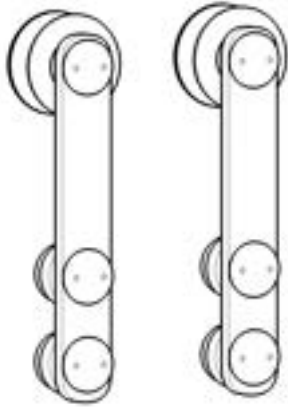


***Note:** Laminated glass cannot be used
with this system

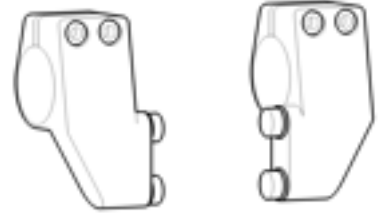


Includes

A.



B.



C.



D.



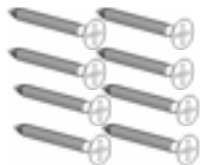
E.



F.



Additional Items.



Tools Required

Rubber Mallet



Tape Measure



Spirit Level



Pencil



Wood Shims



PVC Shims



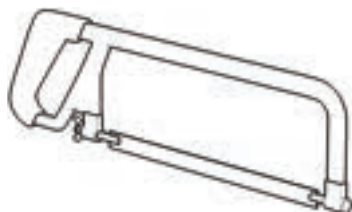
Electric Drill



Silirub



Hacksaw



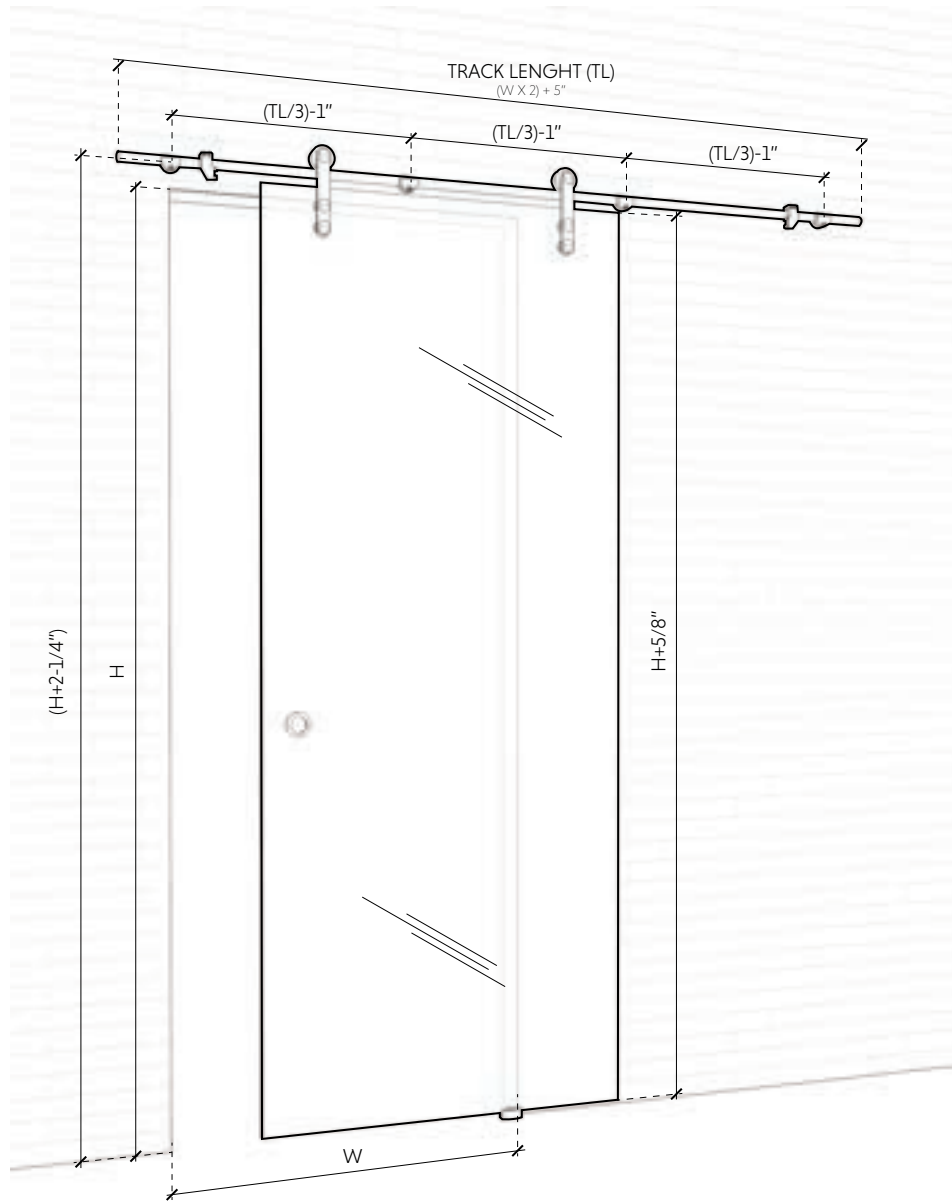
Marker



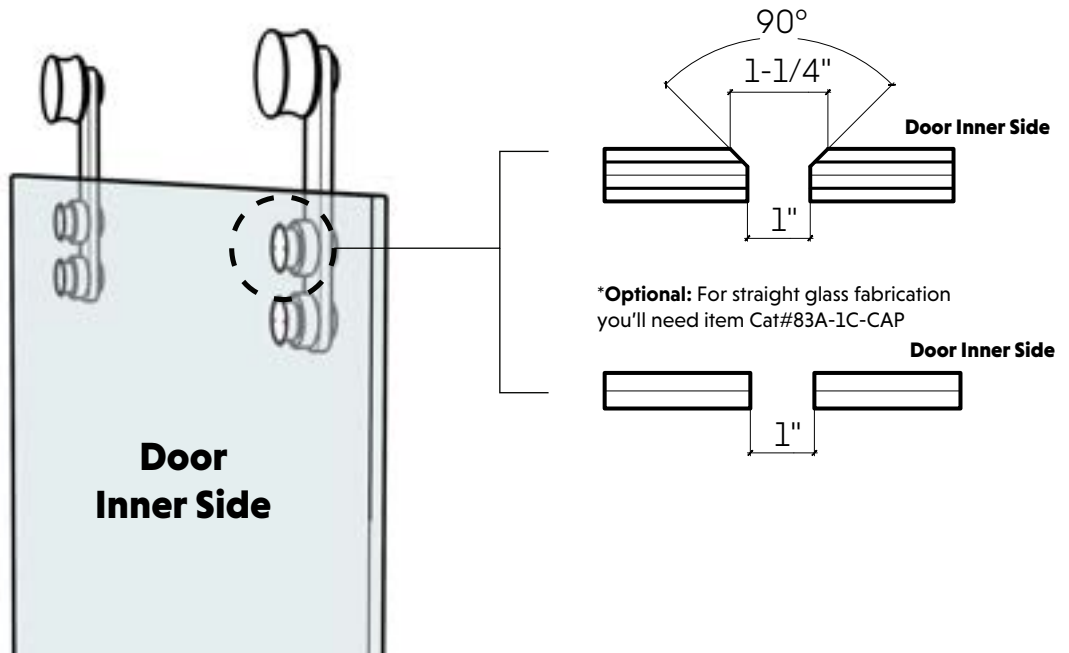
Paper Towel



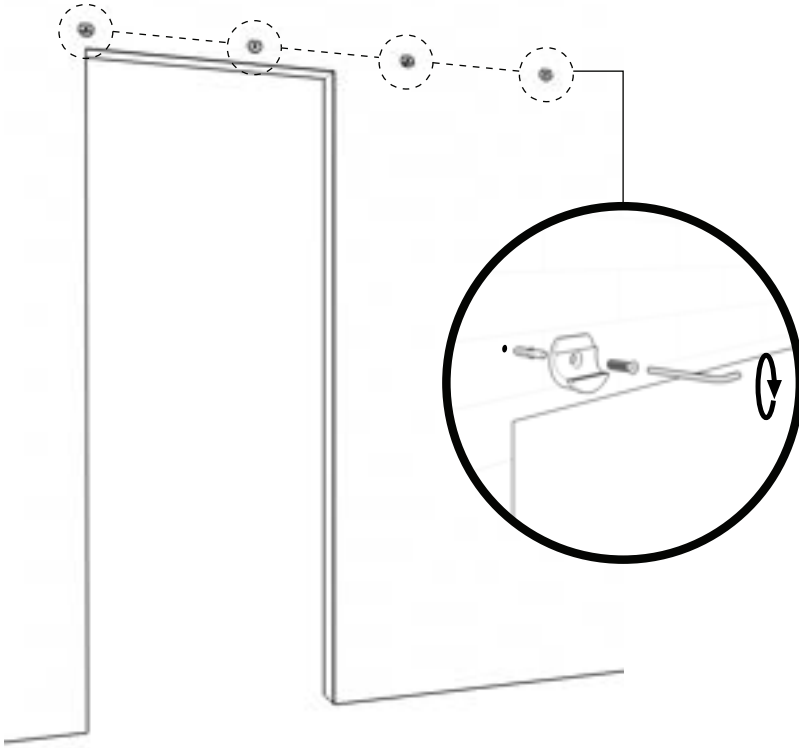
Template



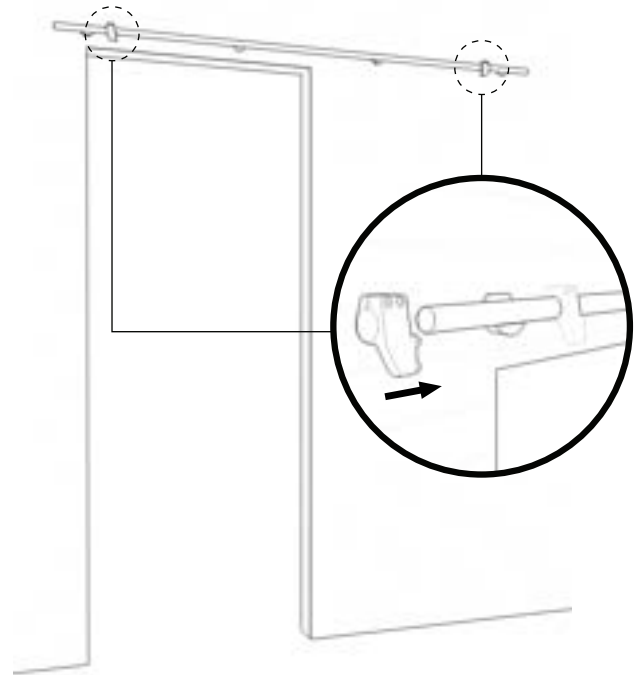
Template



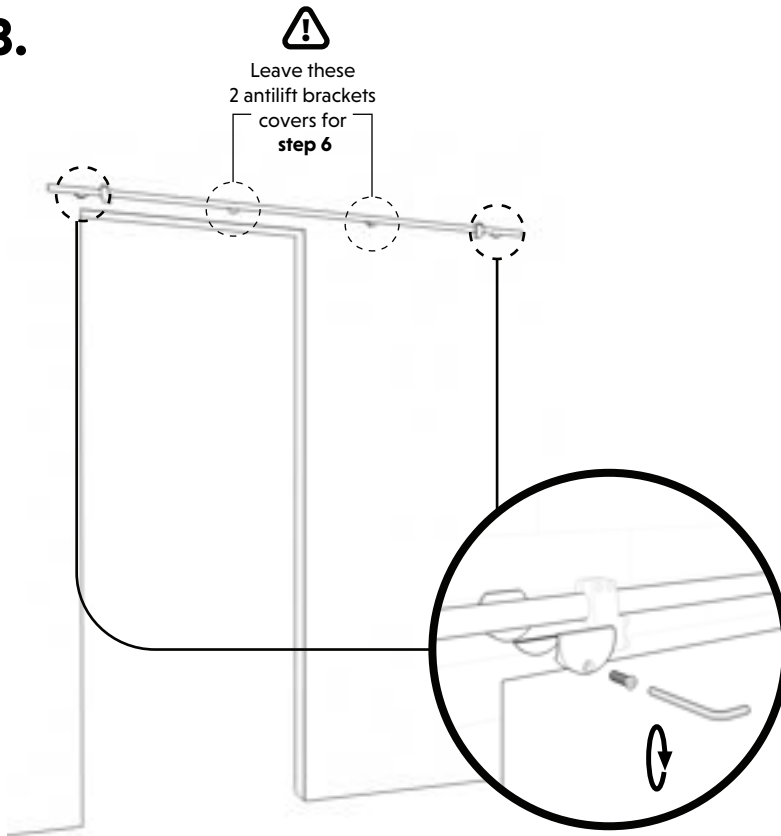
1.



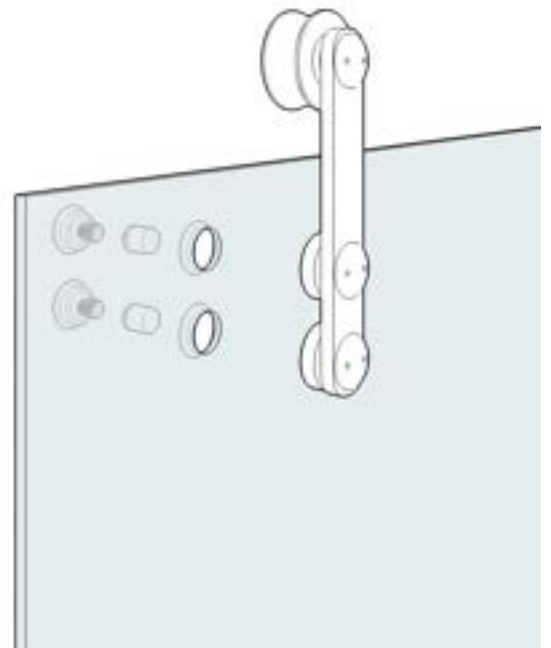
2.



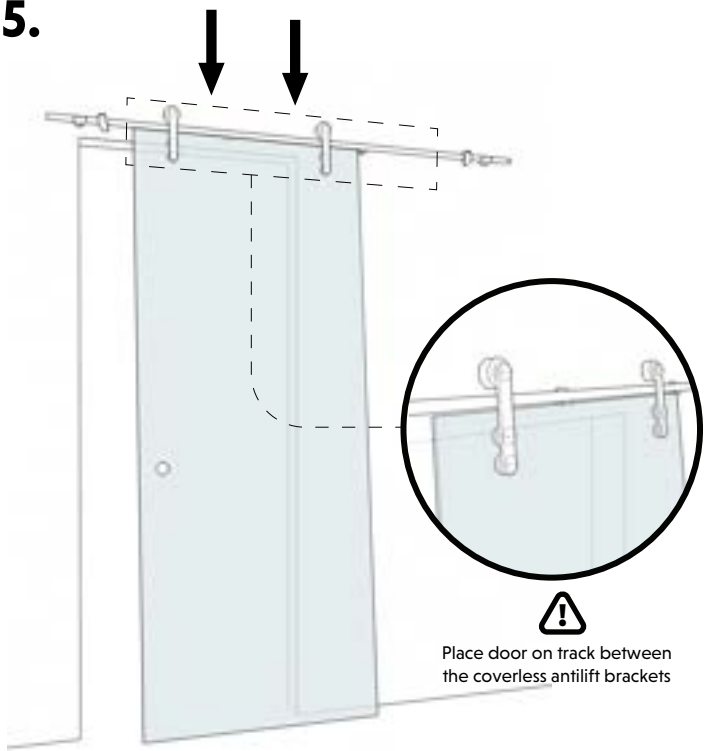
3.



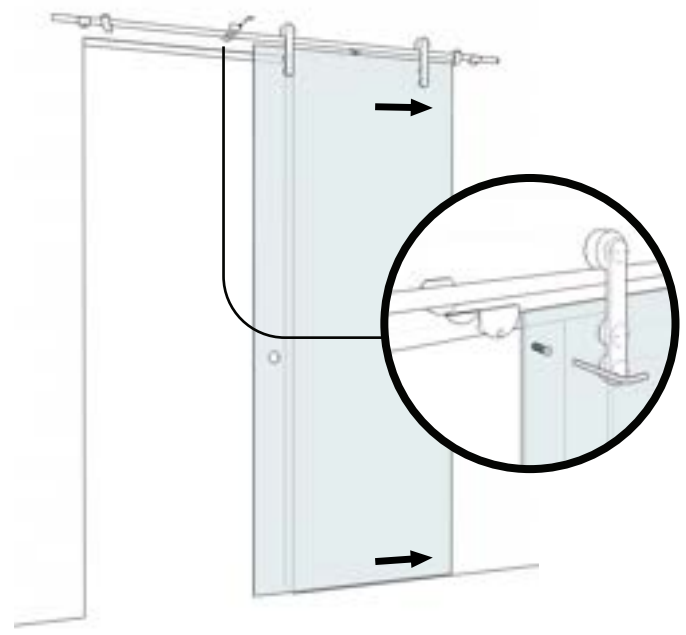
4.



5.



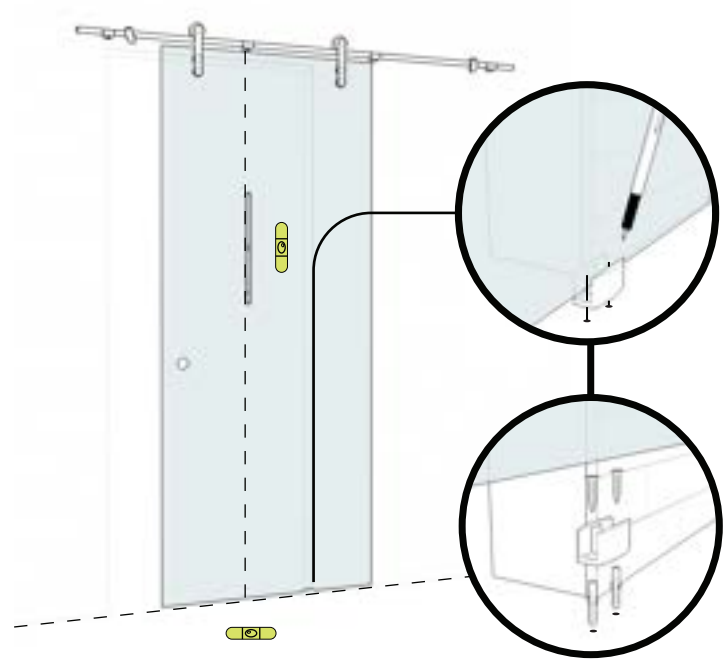
6a.



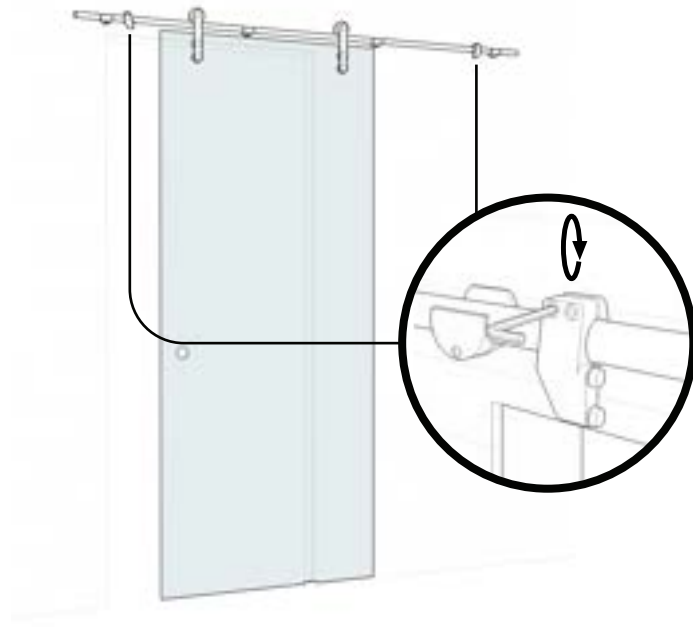
6b.



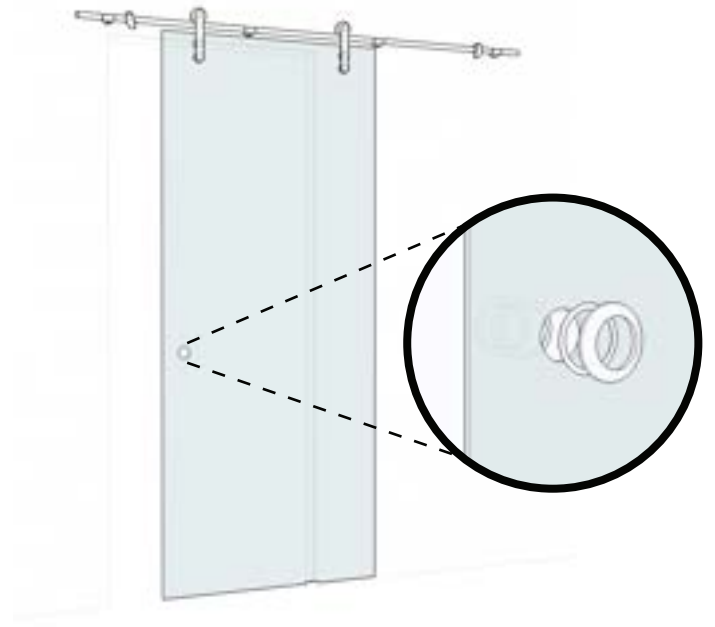
7.



8.



9.



10.

