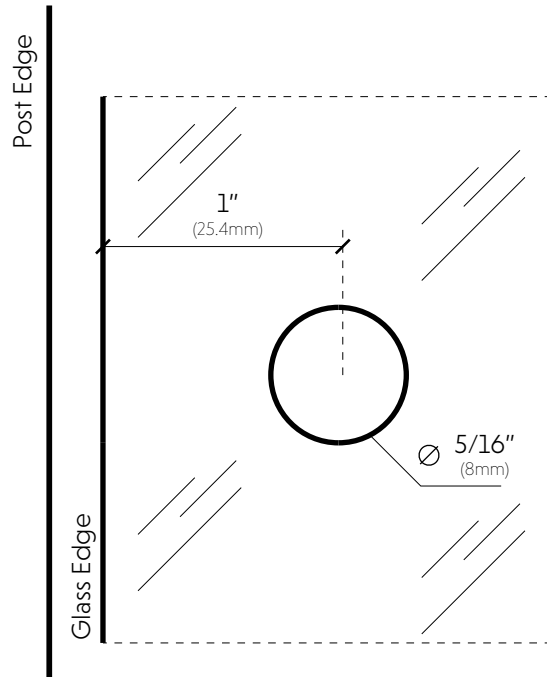
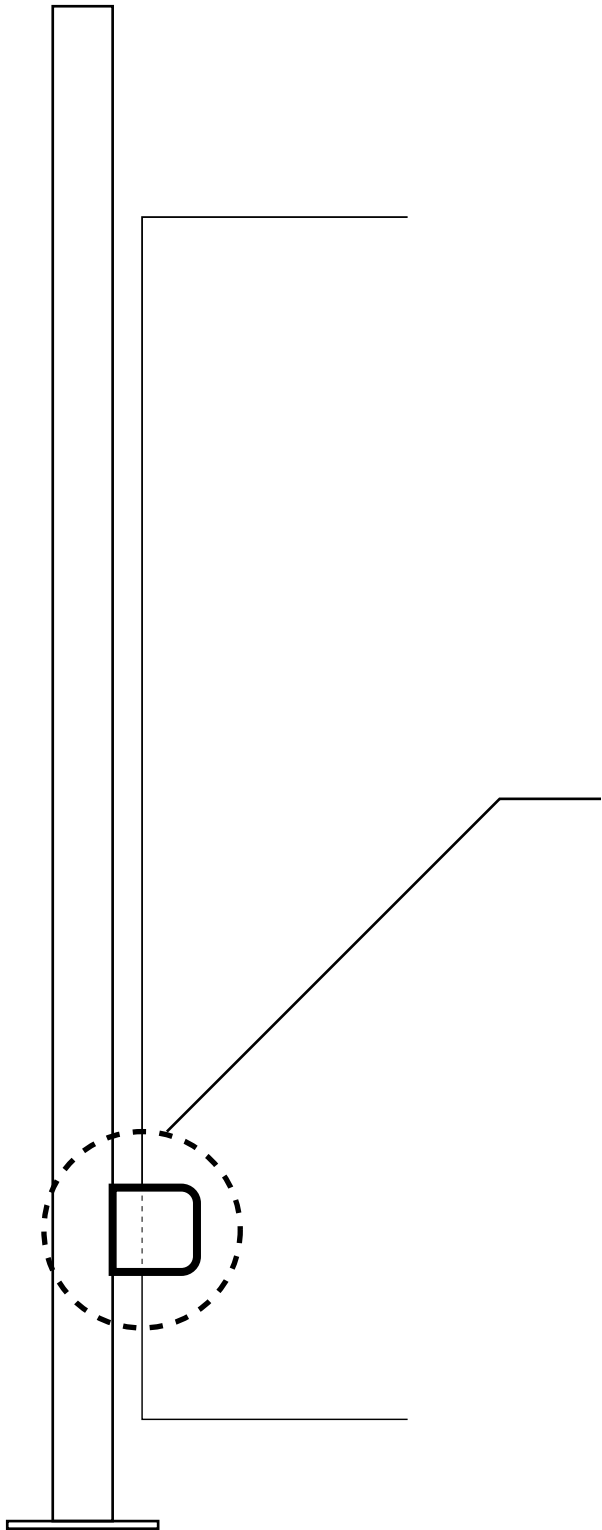


5260 NW 167th Street  
 Miami Gardens, FL 33014  
 Phone: (877) 658-9008  
 Fax: (888) 280-2285

Product:	<b>Heavy Duty clamp for SQ 42" pre-assembled hand rail post</b>	
Code:	FRGC51V	Material: Stainless Steel 316L



5260 NW 167th Street  
Miami Gardens, FL 33014  
Phone: (877) 658-9008  
Fax: (888) 280-2285

Product: **Heavy Duty clamp for SQ 42" pre-assembled hand rail post**

Code: FRGC51V

Material: Stainless Steel 316L