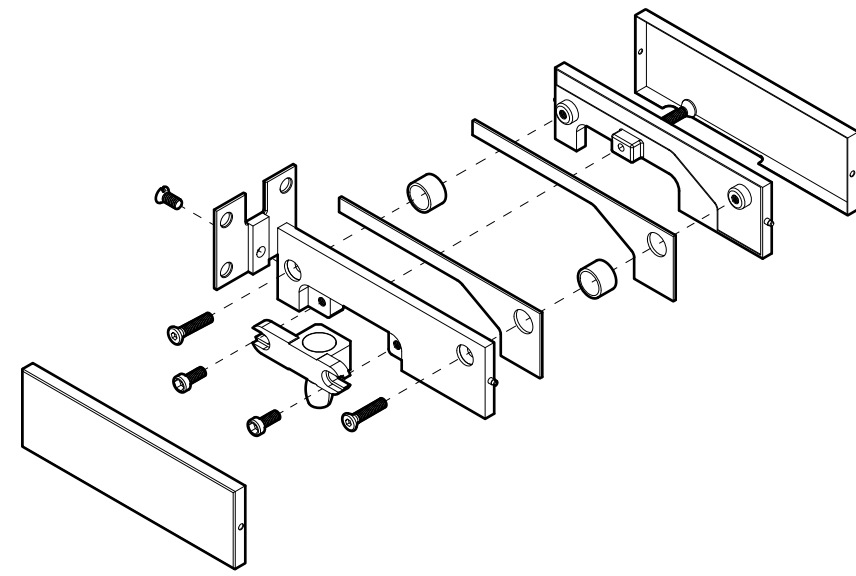
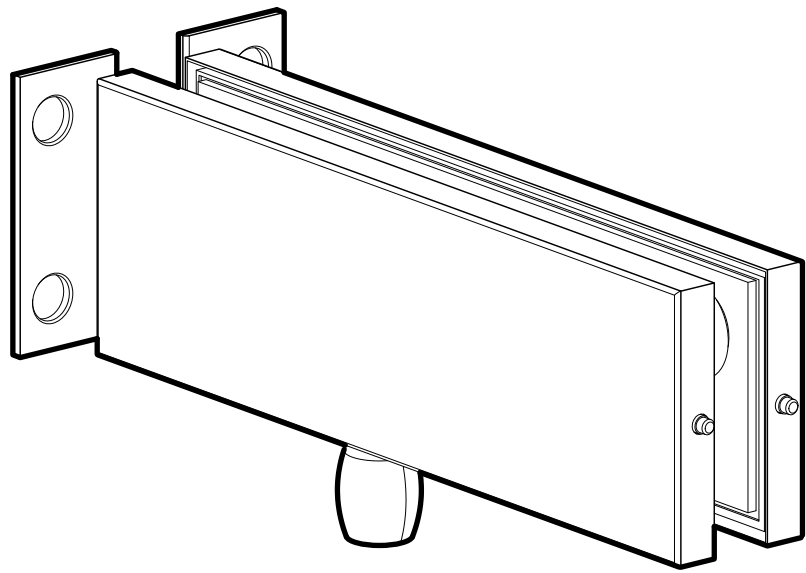
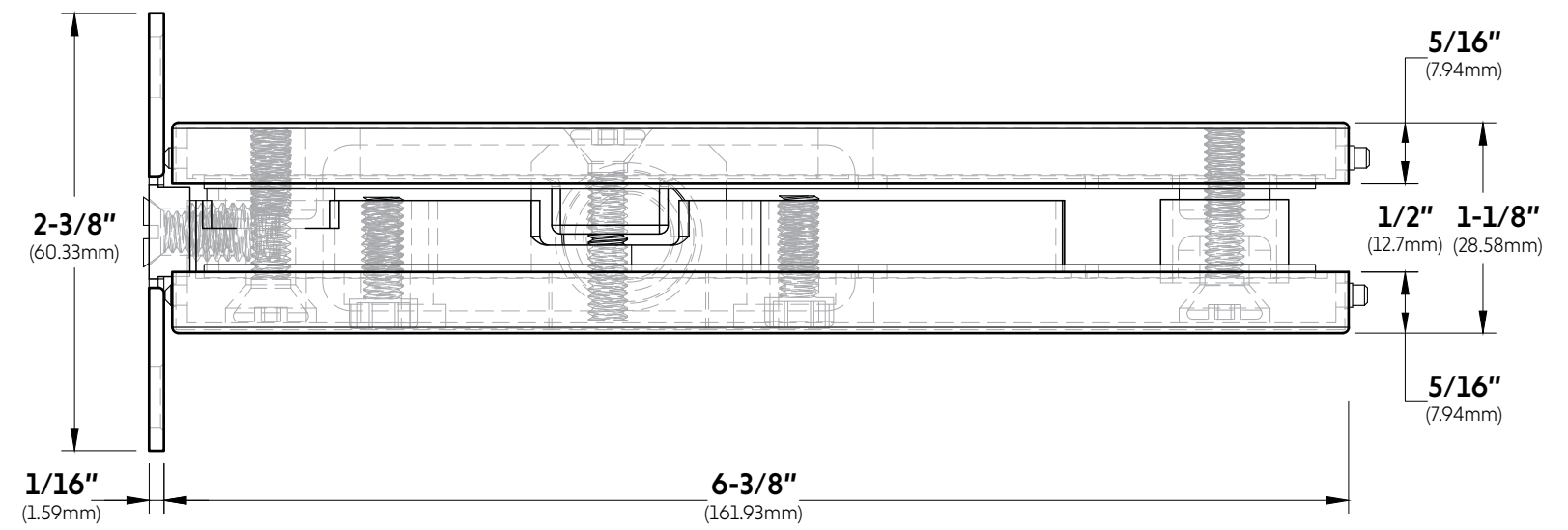


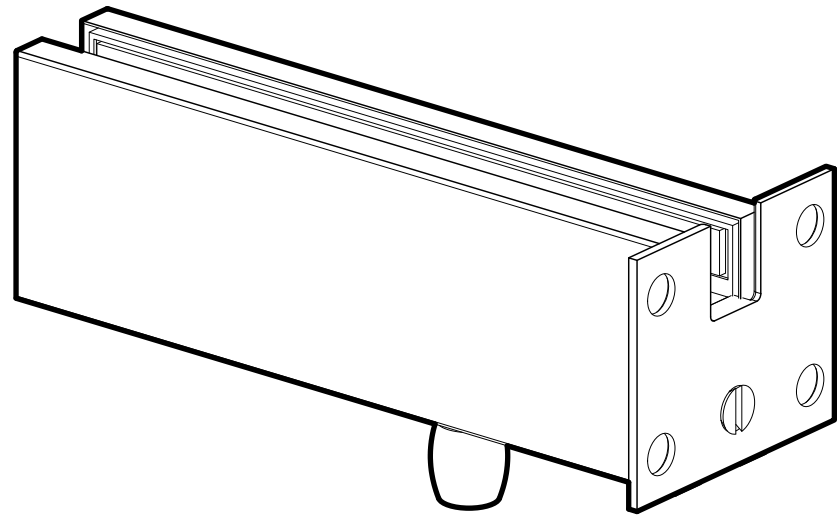
FRONT



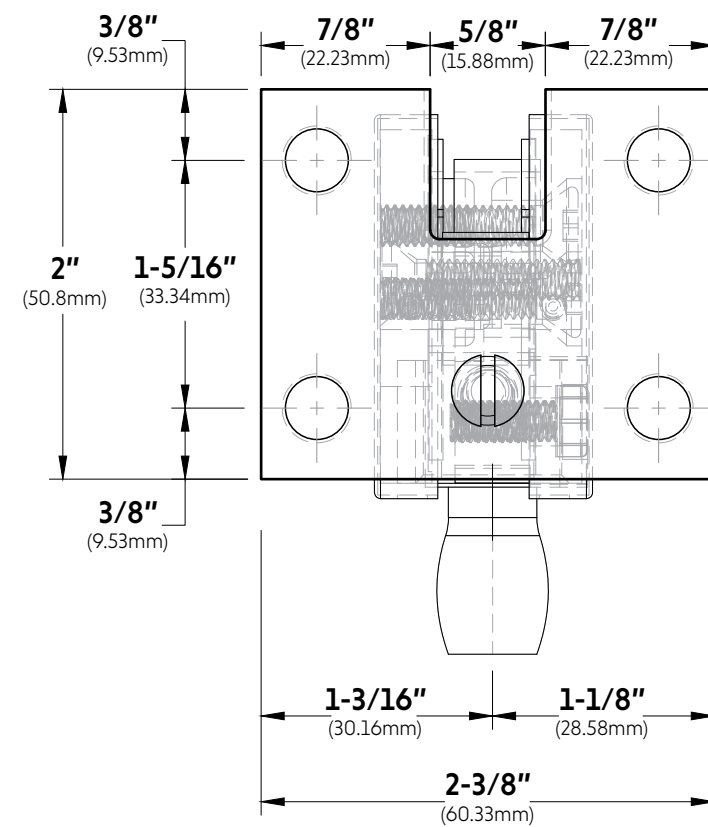
TOP VIEW



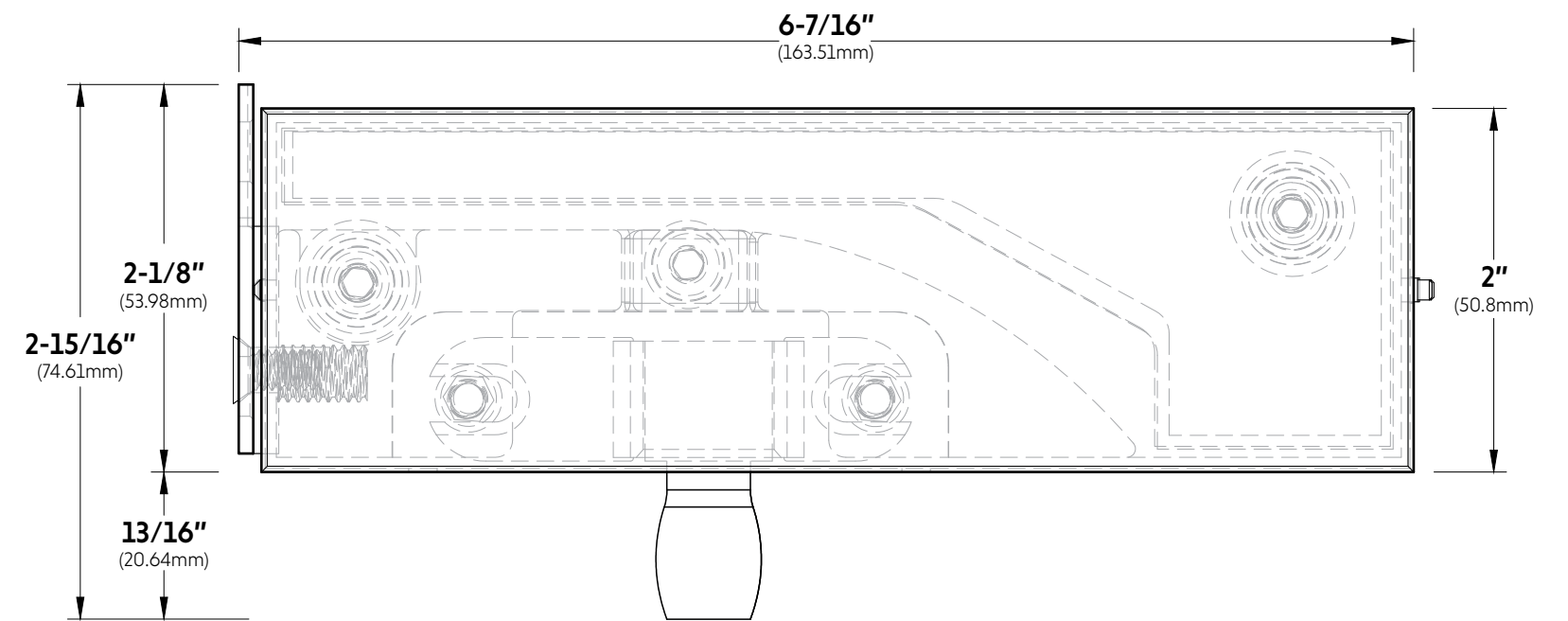
BACK



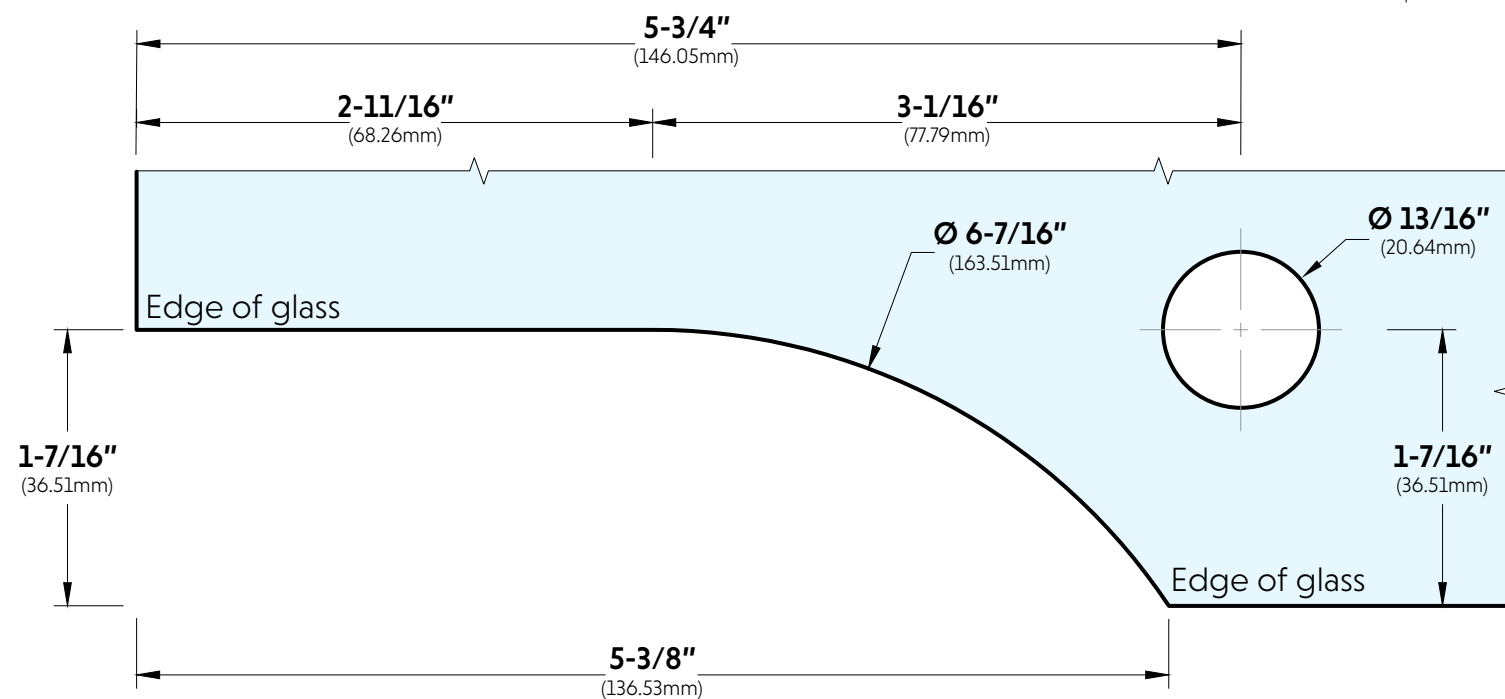
SIDE VIEW



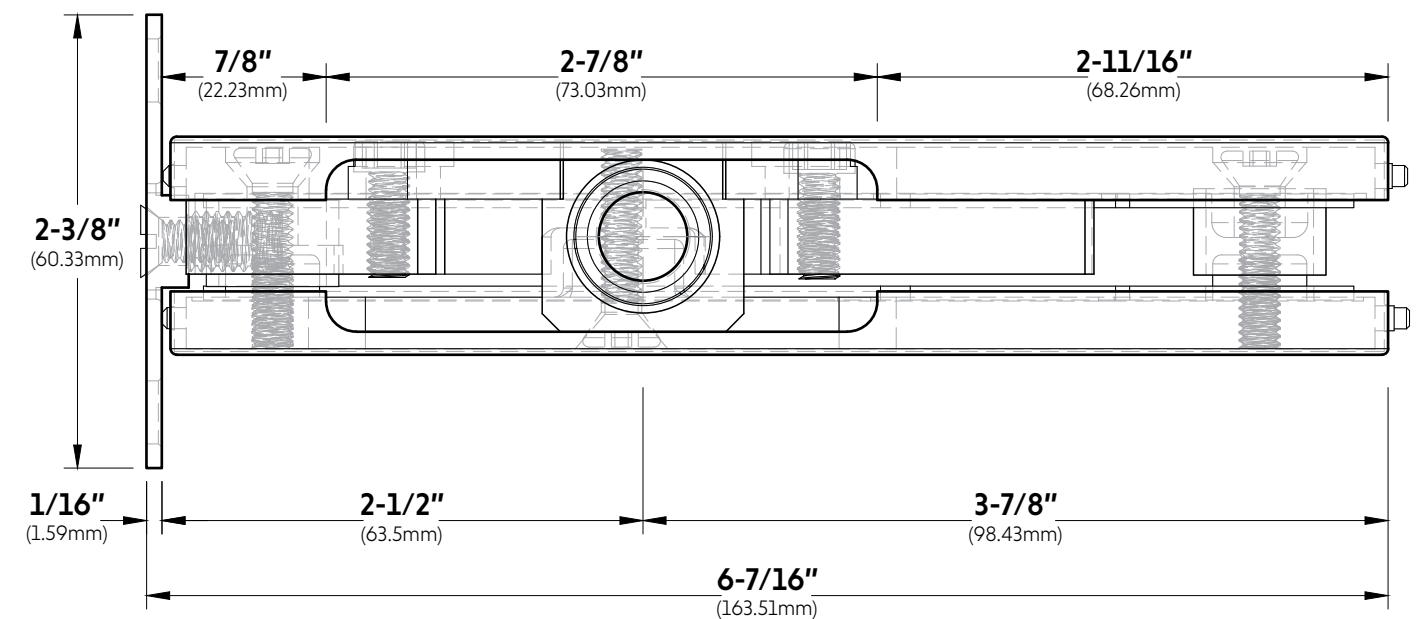
FRONT VIEW



GLASS CUT OUT



BOTTOM VIEW



10101 NW 79th Ave
Hialeah Gardens, FL 33016
Phone: (877) 658-9008
Fax: (888) 280-2285

Product: **IGT Transom Wall Mount Patch Fitting**

Code: PFH103

Material: Aluminum Alloy / Stainless Steel



Specifications:
Glass thickness: 3/8" (10mm) to 1/2" (12mm).
Cutout required - Tempered glass only
Includes: Gaskets, screws and fabrication dimensions.