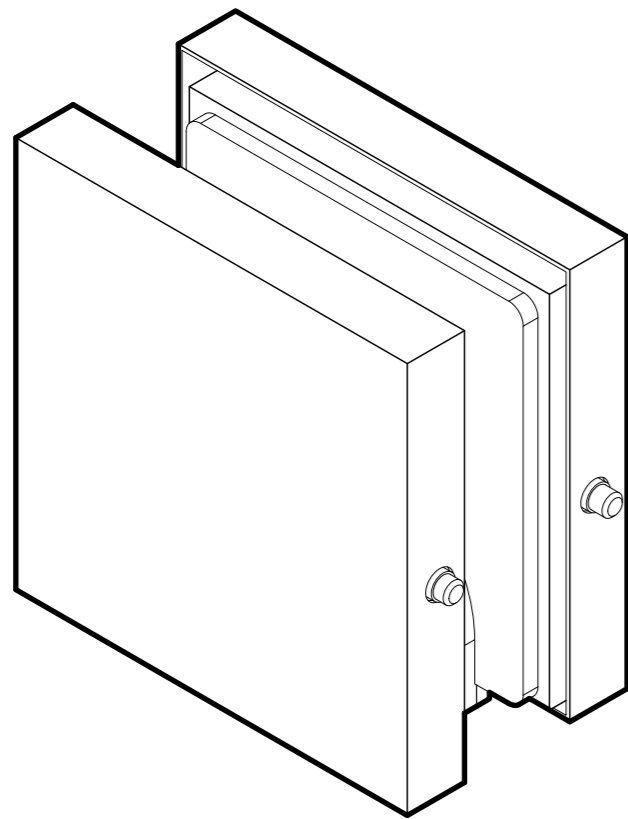
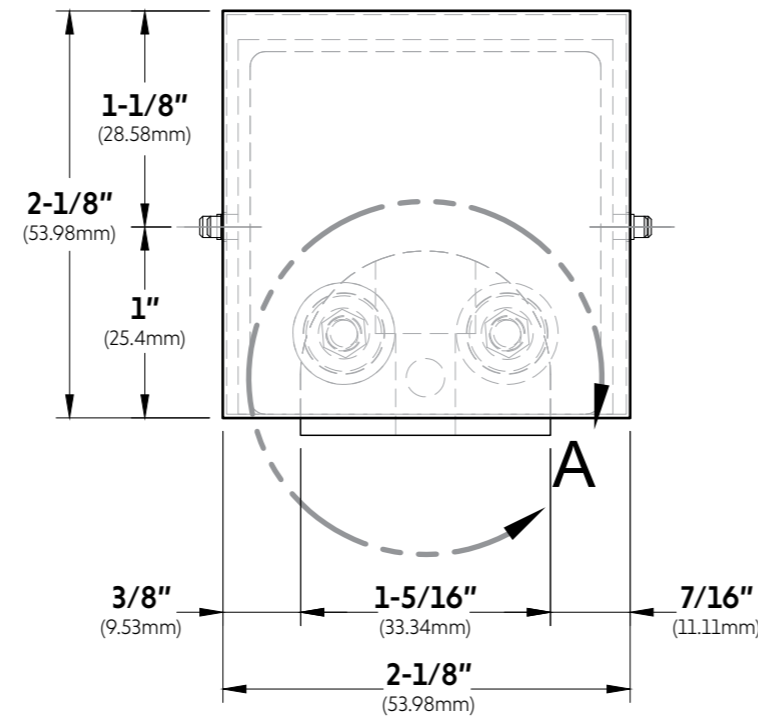


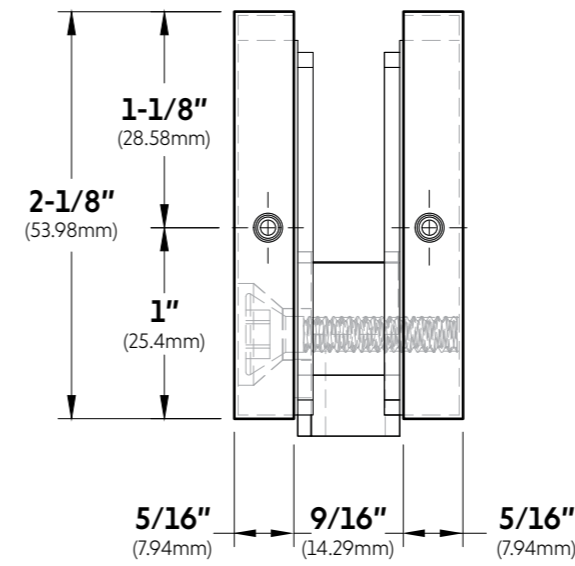
FRONT



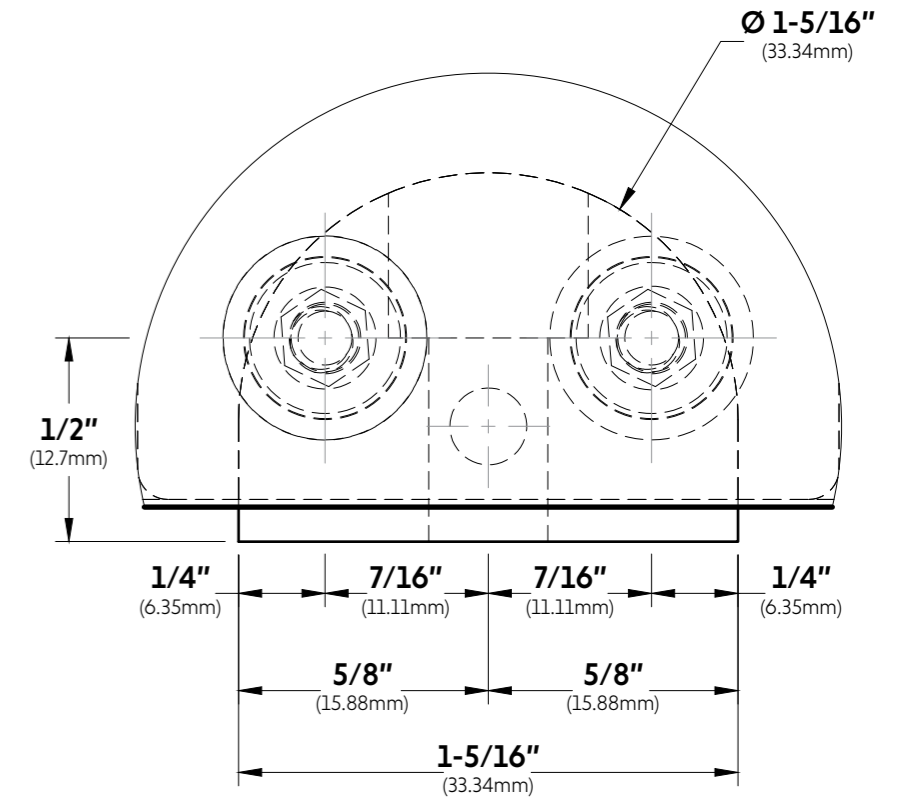
FRONT VIEW



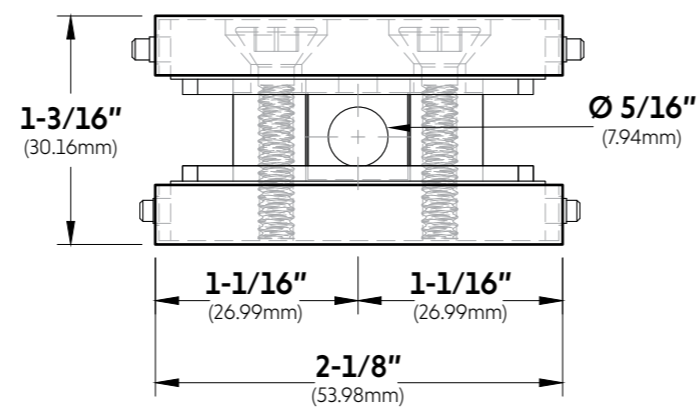
SIDE VIEW



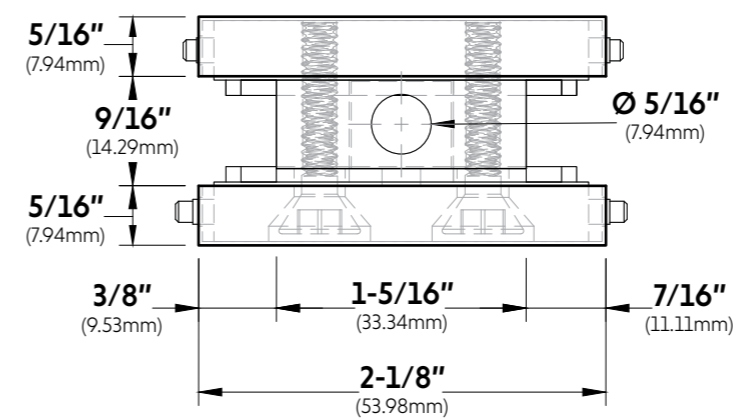
DETAIL A



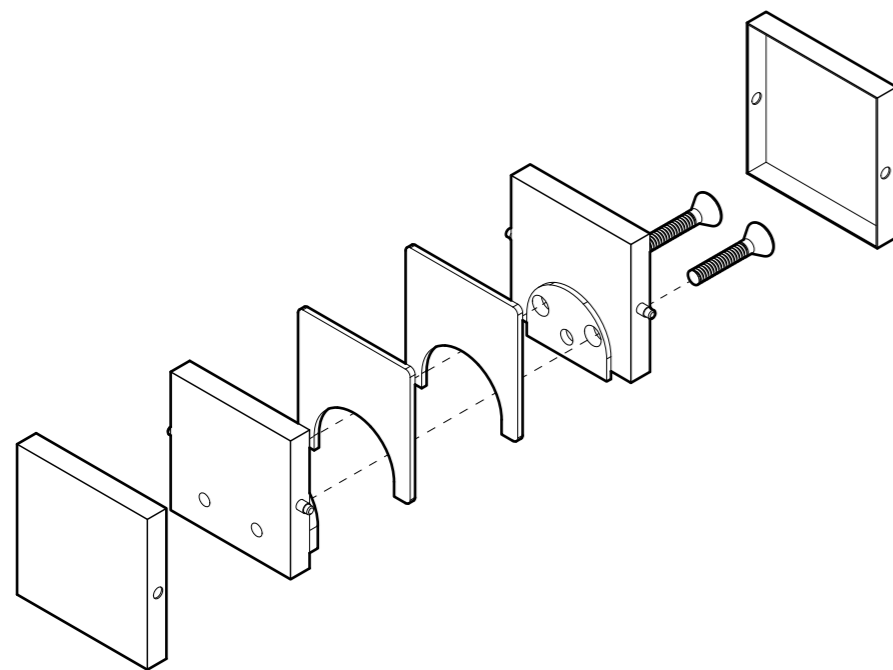
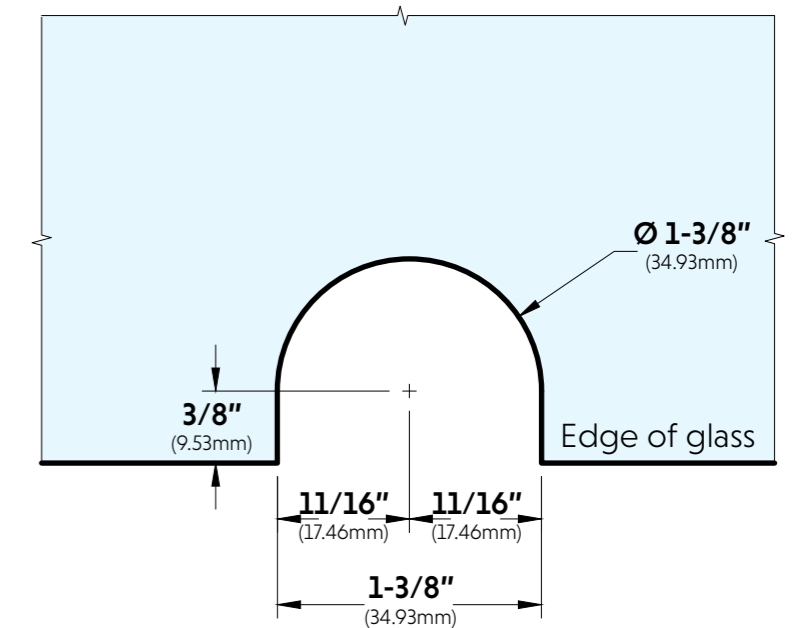
TOP VIEW



BOTTOM VIEW



GLASS CUT OUT

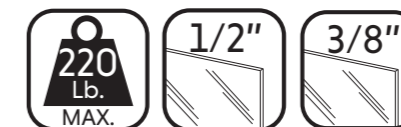


10101 NW 79th Ave
Hialeah Gardens, FL 33016
Phone: (877) 658-9008
Fax: (888) 280-2285

Product: **IGT Patch Wall Mount Bracket**

Code: PFH106

Material: Aluminum Alloy / Stainless Steel



Specifications:
Glass thickness: 3/8" (10mm) to 1/2" (12mm).
Cutout required
Includes: Gaskets, screws and fabrication dimensions.