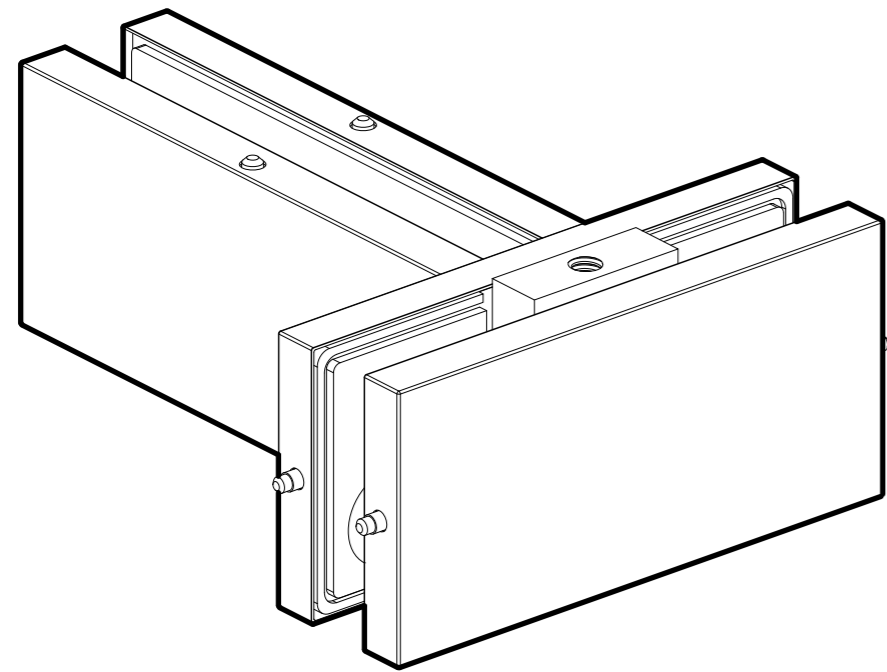
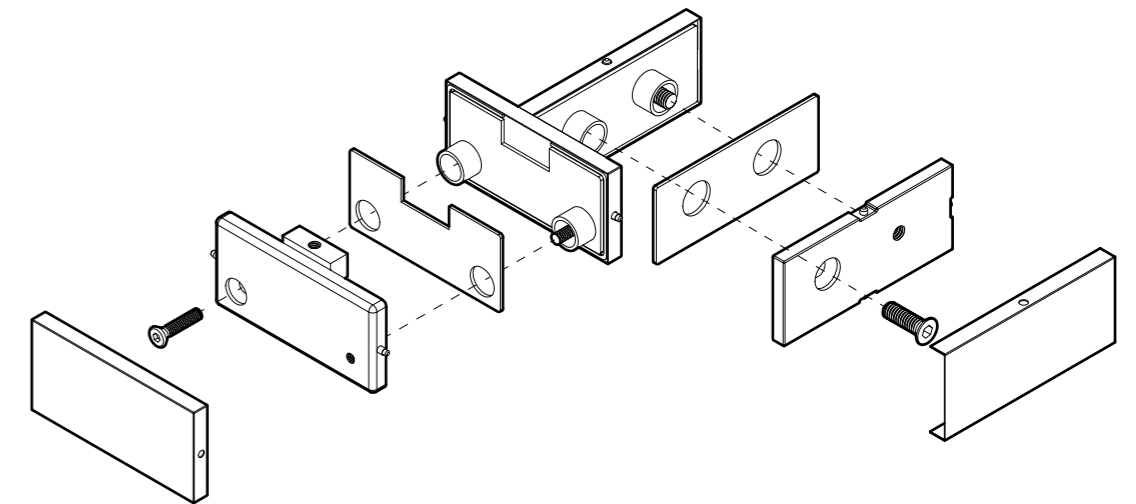
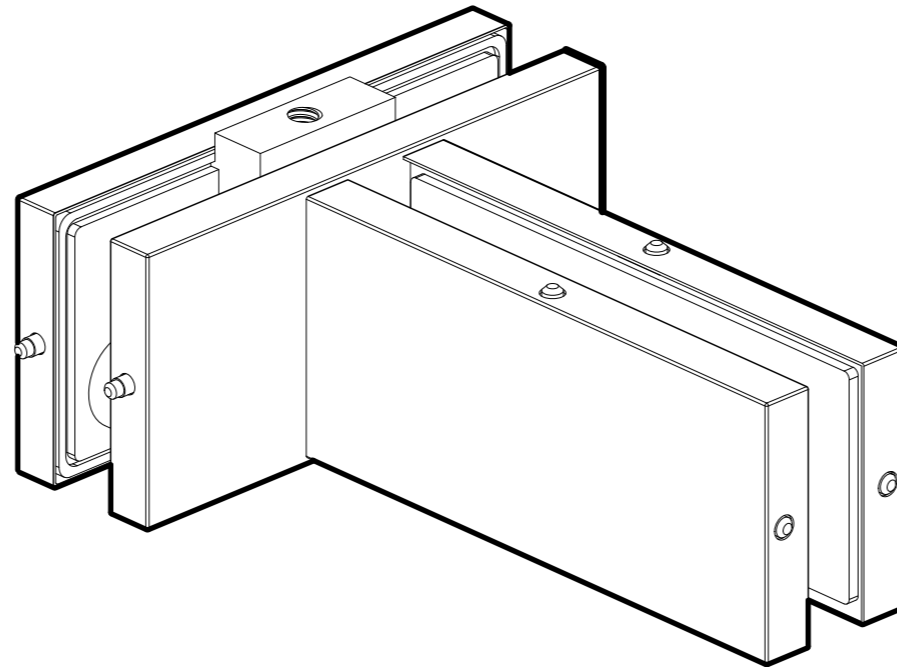


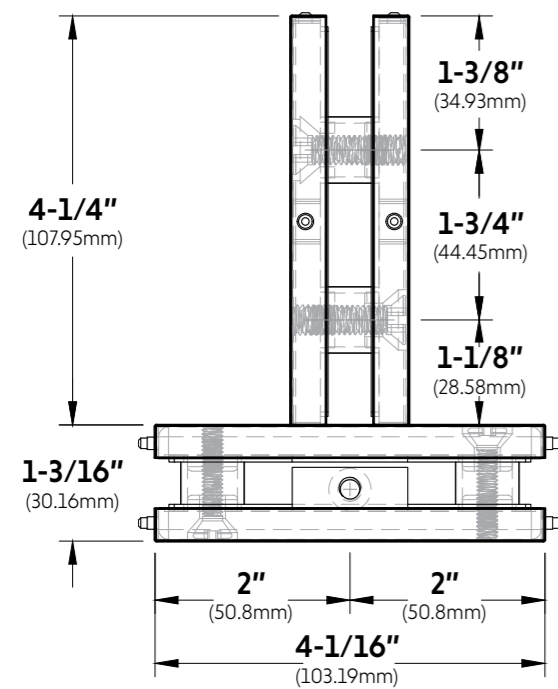
FRONT



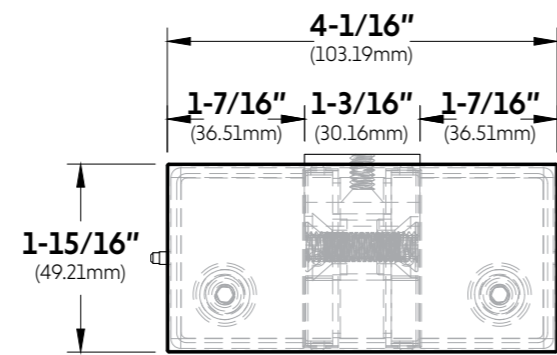
BACK



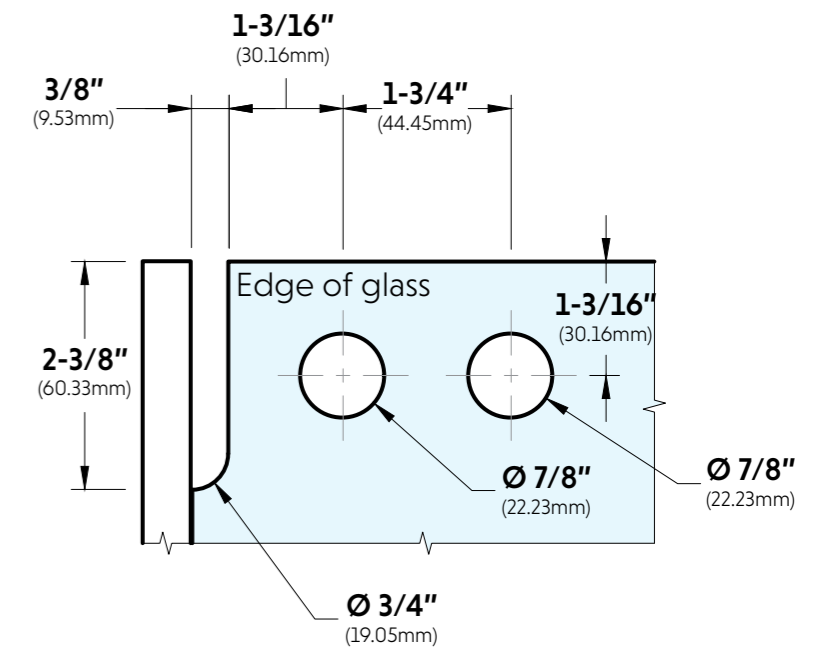
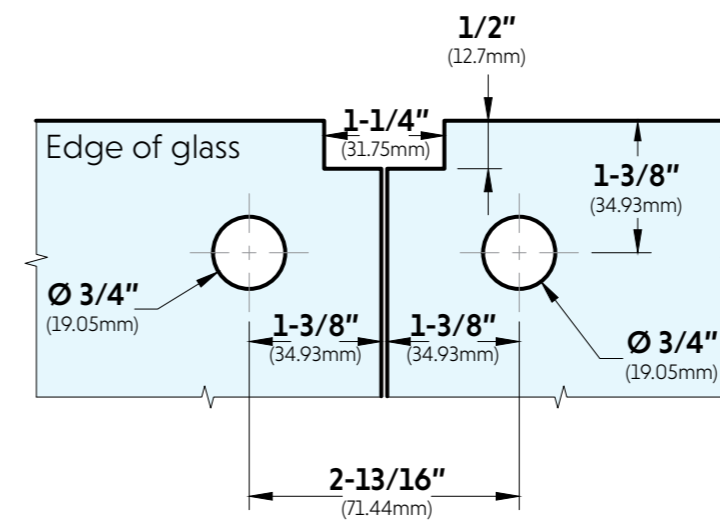
TOP VIEW



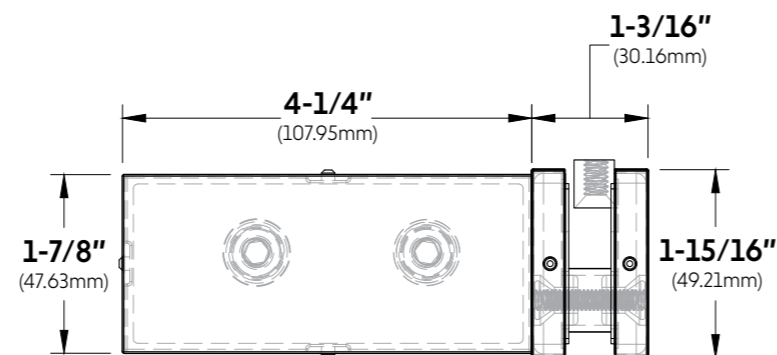
FRONT VIEW



GLASS CUT OUT



SIDE VIEW

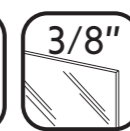
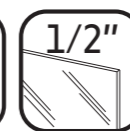


10101 NW 79th Ave
Hialeah Gardens, FL 33016
Phone: (877) 658-9008
Fax: (888) 280-2285

Product: **IGT Patch Wall/Ceiling Connector with Support Fin**

Code: PFH112

Material: Aluminum Alloy / Stainless Steel



Specifications:
Glass thickness: 3/8" (10mm) to 1/2" (12mm).
Cutout required
Includes: Gaskets, screws and fabrication dimensions.